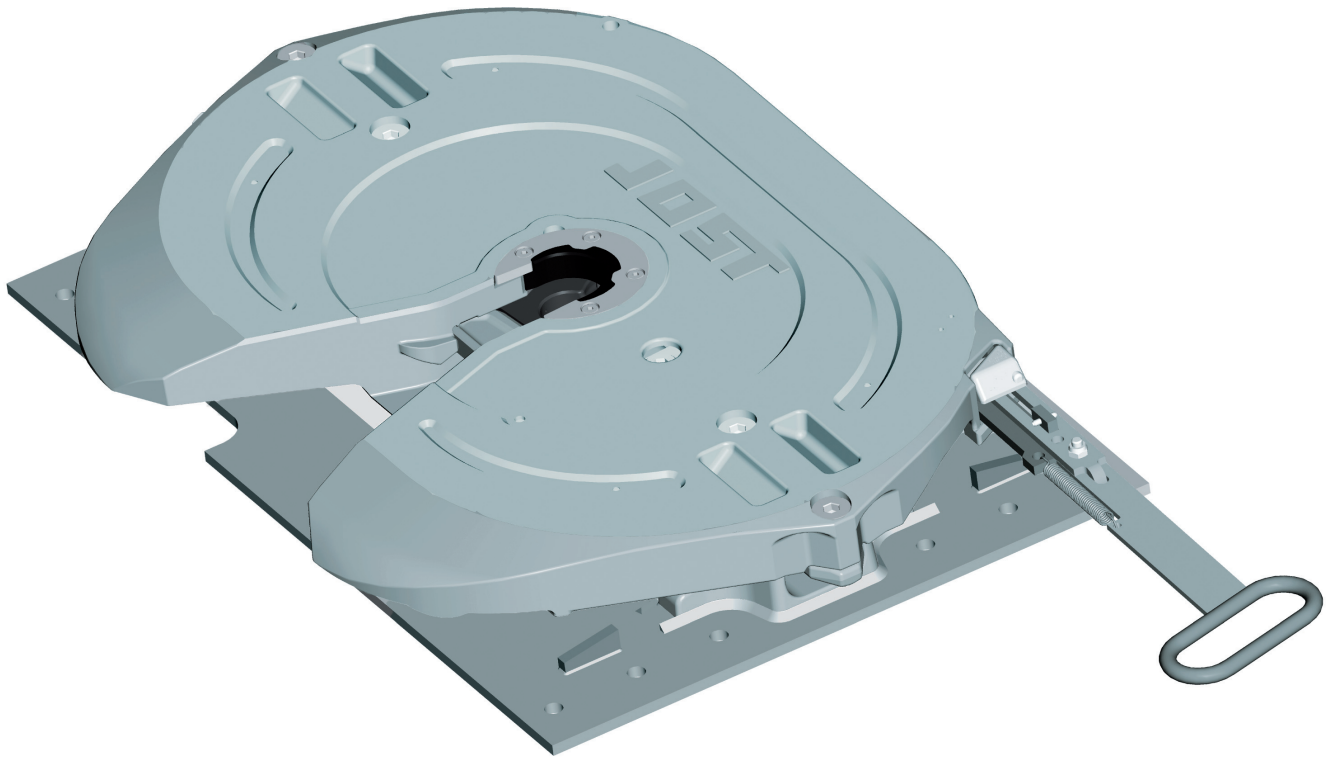


JSK 42MK 140



www.jost-world.com

JSK 42MK For low coupling heights

- narrower side play thanks to a new bearing
- mounting height of 140mm
- additional 33 kilograms in weight optimization
- integrated Flashtronic optimizes the lock inspection of the fifth wheel coupling
- low-maintenance design can also be retrofitted with LubeTronic
- screw hole pictures have been pre-drilled

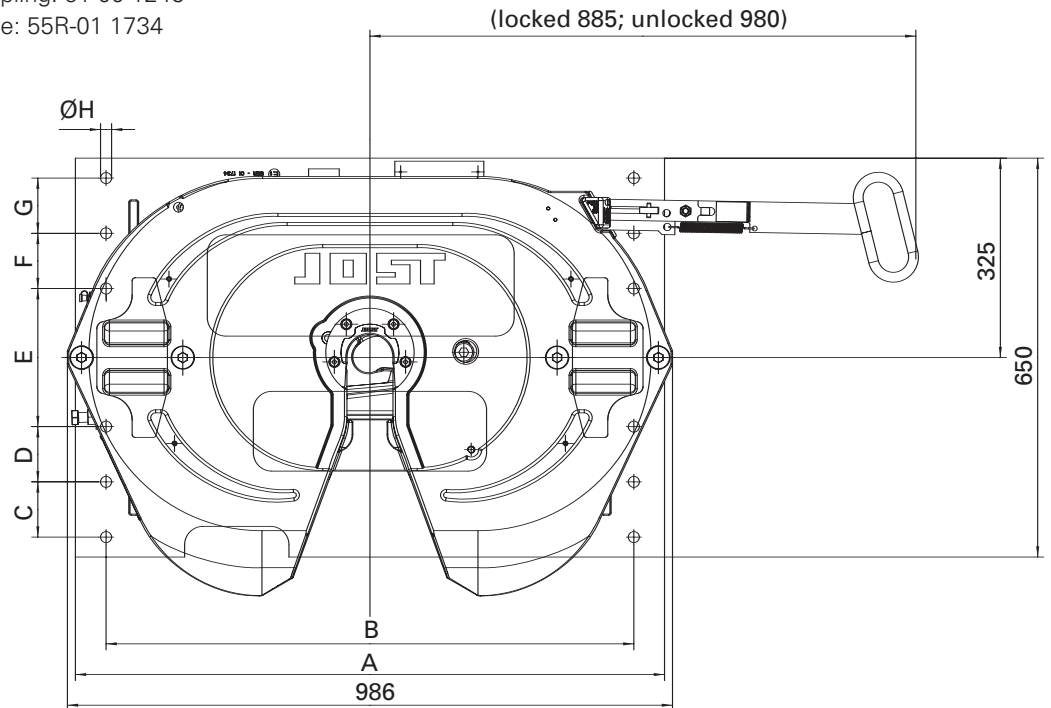
JUST

JSK 42MK 140

Technical specifications

Approval (EG) fifth wheel coupling: e1 00-1245

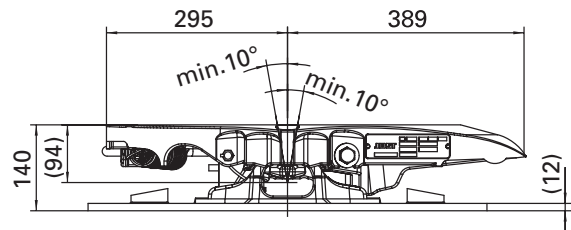
Approval (ECE) mounting plate: 55R-01 1734



Also available as:

SKS (Sensor coupling system) equipped with 3 sensors and pneumatic remote control

KKS (Automatic coupling system) like SKS, but additionally equipped with automated landing gear



Order No.	Imposed load U (t)	D value (kN)	Weight (kg)	A (mm)	B (mm)	C (mm)	D (mm)	E (mm)	F (mm)	G (mm)	H	Customer hole pattern	WA
JSK 42 MK 15 H5 AA	15	126	158	960	880	200	-	200	-	200	Ø19	SCANIA	Z
JSK 42 MK 15 H4 AA	15	126	158	960	880	200	-	200	-	200	Ø19	SCANIA	W
JSK 42 MK 15 H3 AA	15	126	158	960	880	101,5	101,5	203	101,5	101,5	Ø18	MAN	Z
JSK 42 MK 15 H2 AA	15	126	158	960	880	101,5	101,5	203	101,5	101,5	Ø18	MAN	W
JSK 42 MK 15 H1 AA	15	126	158	960	860	200	-	200	-	200	Ø21	Daimler	Z
JSK 42 MK 15 H0 AA	15	126	158	960	860	200	-	200	-	200	Ø21	Daimler	W
JSK 42 MK 15 G9 AA	15	126	158	960	860	100	100	200	100	100	Ø18	DAF	Z
JSK 42 MK 15 G8 AA	15	126	158	960	860	100	100	200	100	100	Ø18	DAF	W
JSK 42 MK 15 G7 AA	15	126	158	960	860	90	90	225	90	90	Ø18	IVECO	Z
JSK 42 MK 15 G6 AA	15	126	158	960	860	90	90	225	90	90	Ø18	IVECO	W
JSK 42 MK 15 G5 AA	15	126	164	1050	-	-	-	-	-	-	-	without hole pattern	Z
JSK 42 MK 15 G4 AA	15	126	164	1050	-	-	-	-	-	-	-	without hole pattern	W
JSK 42 MK 15 G3 AA	15	126	158	960	-	-	-	-	-	-	-	without hole pattern	Z
JSK 42 MK 15 G2 AA	15	126	158	960	-	-	-	-	-	-	-	without hole pattern	W

Explanations

WA / Maintenance

Z = Prepared for central lubrication

W = Low-maintenance version

More information regarding our range of products can be found at www.jost-world.com

JOST

R
ROCKINGER

REGENSBURGER
ZUGGABEL

TRIDEC