

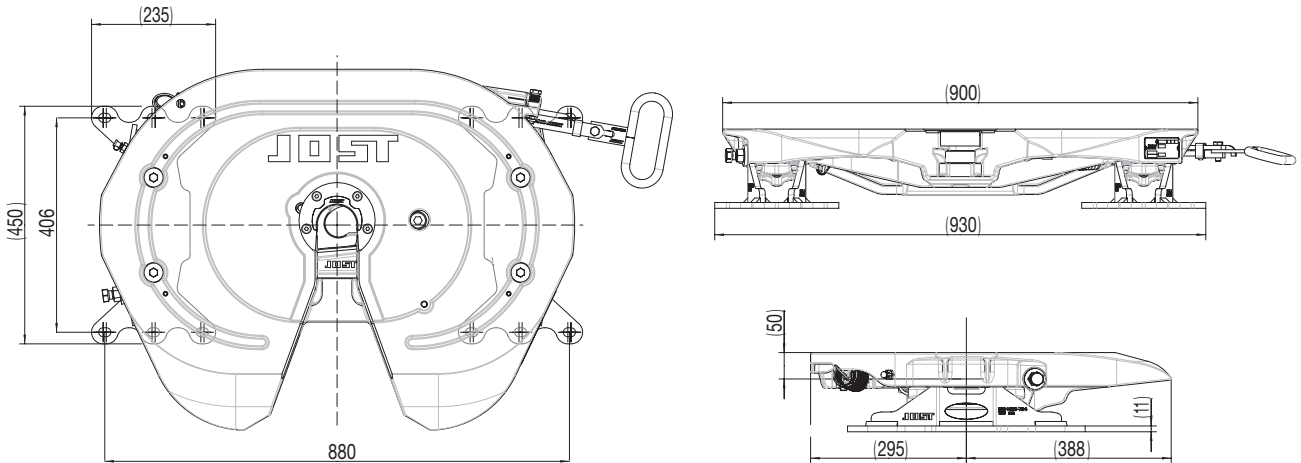


Super lightweight, safe and reliable

JOST has been the market leader in fifth wheel couplings for over 60 years. This expertise has been used as the basis for developing the new super lightweight fifth wheel coupling JSK 34. It is perfect for long distance transportation, tank and silo vehicles, and all applications where low weight is a priority.

- Super lightweight
- Innovative fall prevention with real one handed operation
- New hybrid bearing, particularly robust and gentle on the frame
- Available for plate or frame assembly
- Future proof – can be optionally upgraded with all JOST safety and comfort features

JSK 34



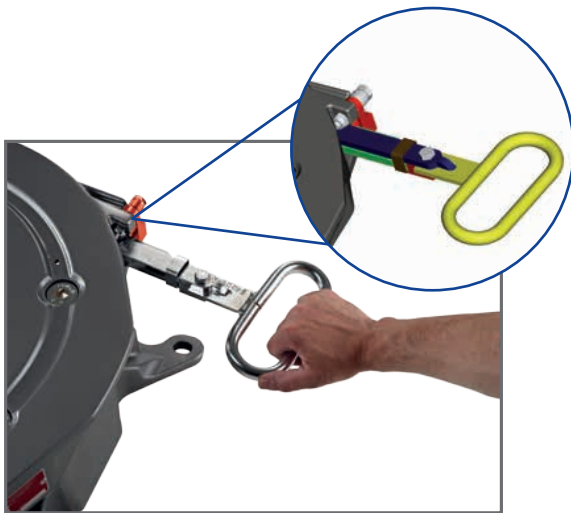
Technical Specification

D Value (kN)	Imposed load U (t)	Approval (ECE)
120	16	E1 55R-01 2482

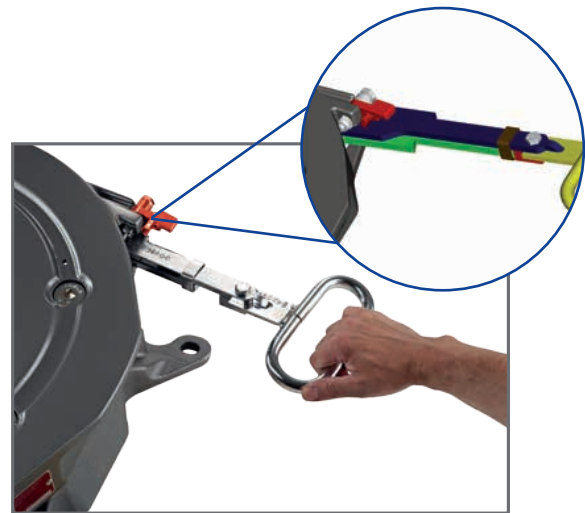
New lock for one-handed operation

Fall prevention with real one handed operation

- Optimum visibility of locking state
- Combined with optimum comfort



Closed and locked



Opened

Future proof

Can be optionally upgraded with all JOST safety and comfort features:



New hybrid bearing

Combination of a robust, shock absorbing rubber bearing (as in JSK 37C) and a plastic bearing that is gentle on the frame.

Member of **JOST**-World

JOST, Germany Tel. +49 6102 295-0, jost-sales@jost-world.com, www.jost-world.com