



Strong drop leg with low weight

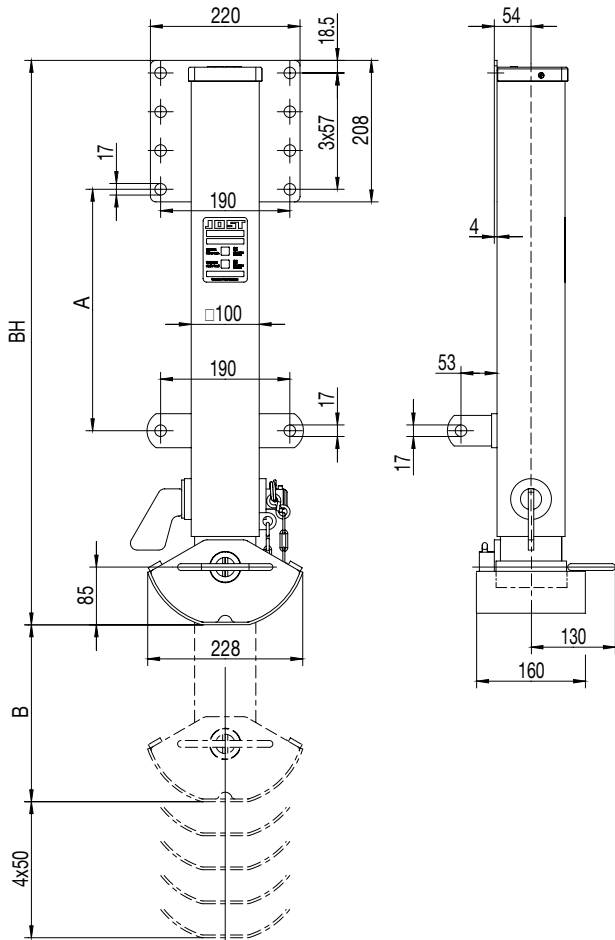
The FS 075 is an optimal addition to our range of landing gears. It is ideal for applications that require low weight and where uncoupling is rarely needed.

- Low weight
- Robust steel design
- Maintenance-free
- User-friendly
- Optionally with sand shoe or compensating foot
- 5 different mounting heights
- Finely graduated drop extension adjustable in multiple ways
- Choice of operation from the left or right side available

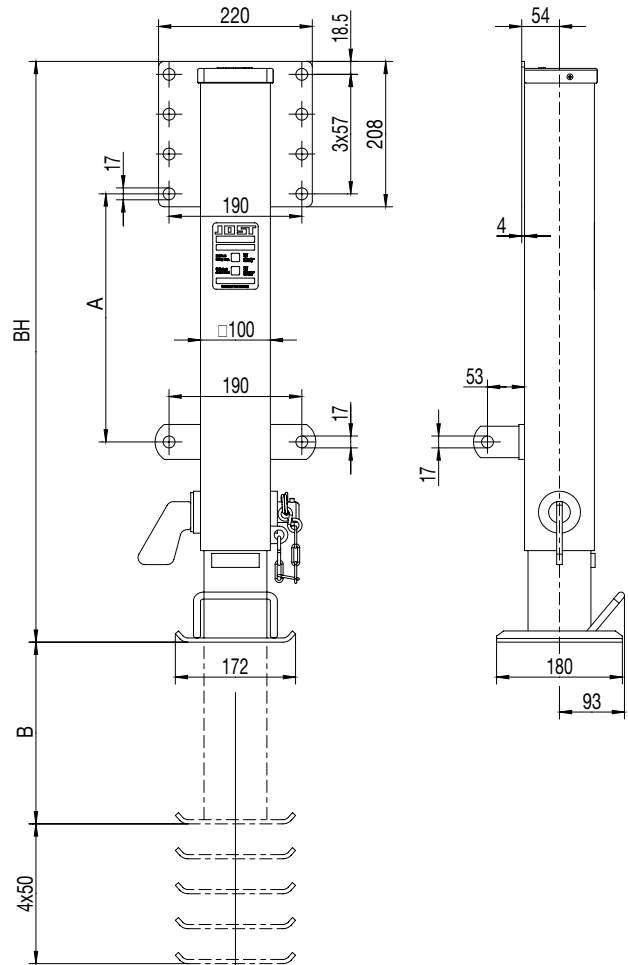
FS 075

Technical specifications

A foot



T foot



Order No. Operation left	Order No. Operation right	Foot	Weight (kg)	Supported weight per side (t)	Static test load per side (t)	Mounting height M (mm)	Dimension A (mm)	Dimension B (mm)
FS07501121000	FS07501122000	A	26,7	12	20	930	455	260
FS07502121000	FS07502122000	A	26,1	12	20	880	405	260
FS07503121000	FS07503122000	A	25,5	12	20	830	355	260
FS07504121000	FS07504122000	A	23,9	12	20	780	305	210
FS07505121000	FS07505122000	A	23,3	12	20	730	255	210
FS07501171000	FS07501172000	T	25,8	12	20	930	455	260
FS07502171000	FS07502172000	T	25,2	12	20	880	405	260
FS07503171000	FS07503172000	T	24,6	12	20	830	355	260
FS07504171000	FS07504172000	T	22,9	12	20	780	305	210
FS07505171000	FS07505172000	T	22,3	12	20	730	255	210

Notes

- Not suitable for ferry operations
- 2 drop legs required per trailer
- Only available for towing vehicles with pneumatic suspension

Member of **JOST**-World

JOST, Germany Tel. +49 6102 295-0, jost-sales@jost-world.com, www.jost-world.com