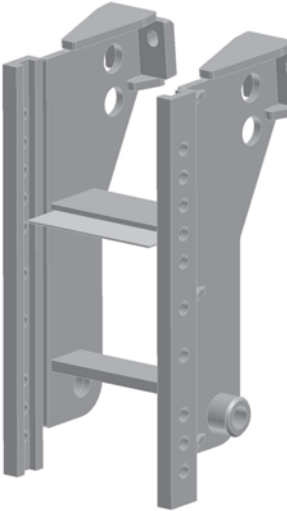


Ladders for JCB Fastrac 2000/3000

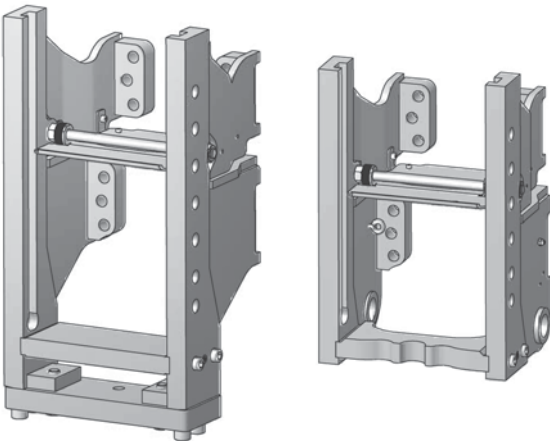


RO*880A01-06

RO	Track width (mm)	S* (t)	D (kN)	ABG M	EG e1
880A01022	330	2/2,5	82,4	4809	-
880A02122	330	2/2,5	82,4	4809	-
880A03022	330	2/2,5	82,4	4809	-
880A04022	330	2/2,5	82,4	4809	-
880A05122	330	2/2,5	82,4	4809	-
880A06022	330	2/2,5	82,4	4809	-

* Below PTO position 2,5 t

Ladders for JCB Fastrac 7000

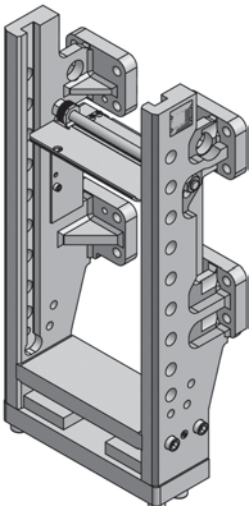


RO*880B22/RO*880N22

RO	Track width (mm)	S* (t)	D (kN)	ABG M	EG e1
880B2210C	330	2/3	89,3	9900	0406
880N2210C	330	2/3	89,3	9900	0406

* Below PTO position 3t

Ladders for JCB Fastrac 8000



RO*880B14

RO	Track width (mm)	S* (t)	D (kN)	ABG M	EG e1
880B14000	330	2/3	89,3	9803	0344

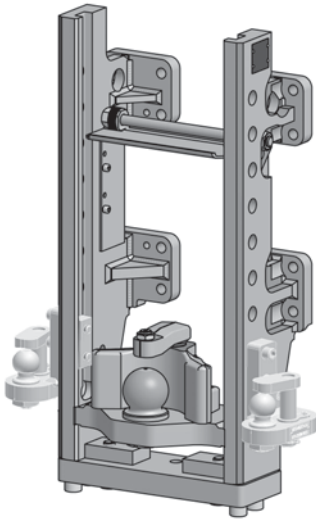
* Below PTO position 3t

S = vertical load

D = D-value

ABG + EG = Homologation

Ladders for JCB Fastrac 8000



RO*880L14 with integrated ball hitch

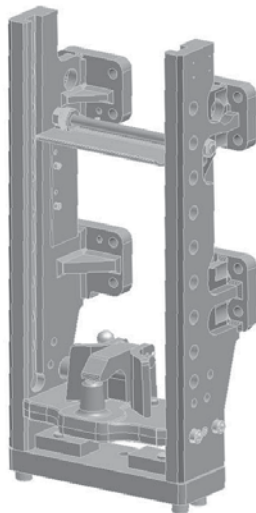
RO	Track width (mm)	S* (t)	D (kN)	ABG M	EG e1
880L14000	330	2/4	89,3	8803	0344

* Ball hitch 4 t

Upgrade kit for forced steering (optional)

forced steering left ROE 74L021

forced steering right ROE 74L022

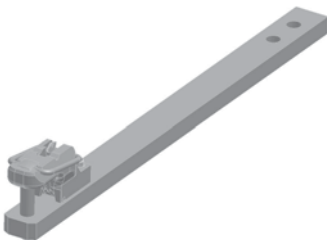


RO*880E14 with integrated Piton-Fix

RO	Track width (mm)	S* (t)	D (kN)	ABG M	EG e1
880E14000	330	2/3	89,3	8803	0344

* Piton-Fix 3 t

Drawbar with Piton-Fix for JCB Fastrac 7000/8000

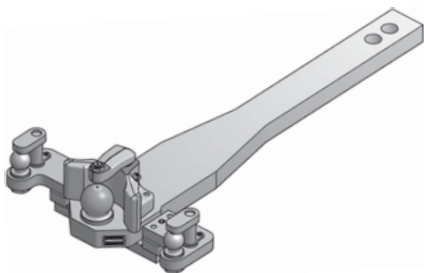


RO*801L23

RO	S* (t)	D (kN)	ABG M	EG e1
801L23000	1,5/1,8	89,3	9804	0345

* depending on vertical load

Drawbar with ball for JCB Fastrac 7000/8000



RO*825L06

RO	S (t)	D (kN)	ABG M	EG e1
825L06301	4	89,3	9901	0407
825L06601*	4	89,3	9901	0407

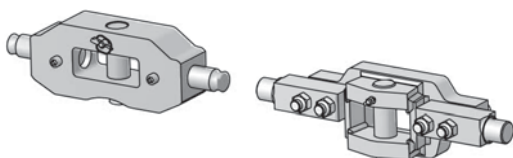
* with forced steering

S = vertical load

D = D-value

ABG + EG = Homologation

Drawbarholder for JCB Fastrac

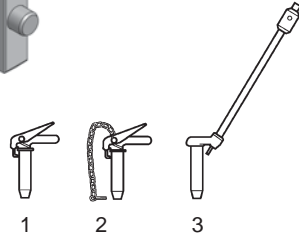
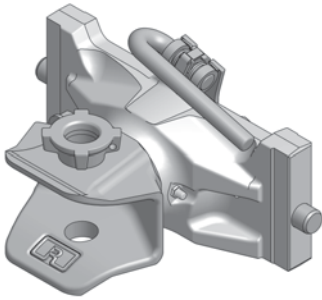


ROE 74L077 for 7000 series

ROE 74L008 for 8000 series

Manual and automatic towing hitches

For use in ladders for all JCB Fastrac series:



RO*810D30004 manual hitch with 30,5 mm hitch pin*

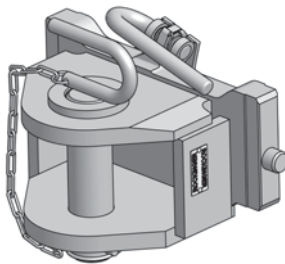
RO	Track width (mm)	S (t)	D (kN)	ABG M	EG e1
810D30004	330	2,0	97,1	4463	0019

* Hitch pins have to be ordered separately

1 = ROE 66887

2 = ROE 66984

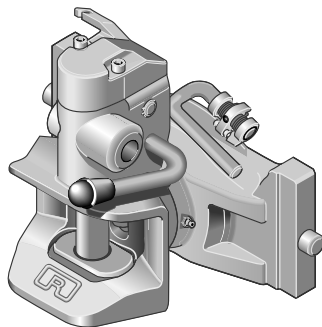
3 = ROE 67086



RO*806D manual hitch equivalent to CUNA

RO	Track width (mm)	Towing load (t)	Vert. load (t)
806 D 3030 C	330	20	2,5

Towing eyes equivalent to CUNA Kat. D 3

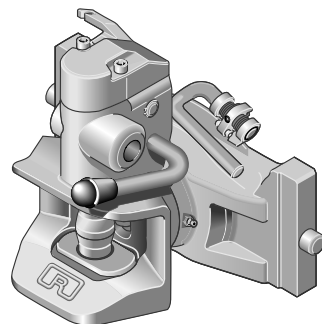


RO*850D30300 automatic hitch with 30,6 mm hitch pin

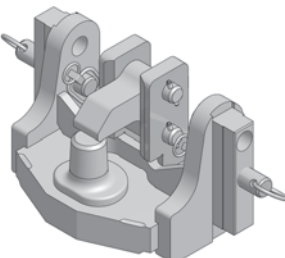
RO*860D30300 automatic hitch with 38 mm hitch pin

RO*873D30300 automatic hitch with 36 mm hitch pin – hitch für 40 and 50 mm DIN-towing eyes and Swiss towing eyes

RO	Track width (mm)	S (t)	D (kN)	ABG M	EG e1
850D30300	330	2,0	97,1	4882	0032
860D30300	330	2,0	97,1	N3150	0086
873D30300	330	2,0	97,1	N3150	0086



Piton-Fix for use in ladders for all JCB Fastrac series



RO*820A30100 Piton-Fix for bolt on bearing

RO	Track width (mm)	S (t)	D (kN)	ABG M	EG e1
820A30100	330	3	89,3	9896	0399

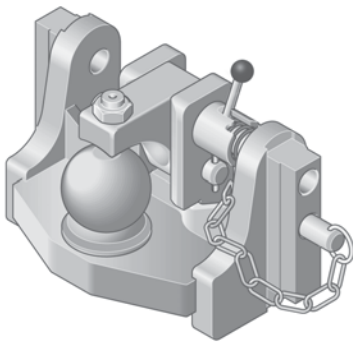
Upgrade kit for forced steering available

S = vertical load

D = D-value

ABG + EG = Homologation

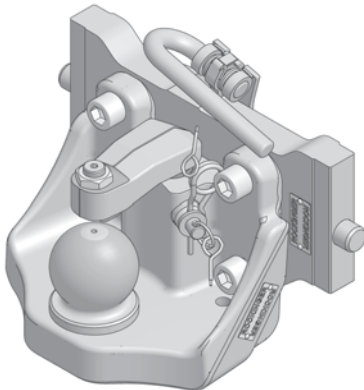
Ball hitches for use in ladders for all JCB Fastrac series



RO*825A3000C KS 80 to insert in ladders

RO	Track width (mm)	S (t)	D (kN)	ABG M	EG e1
825A3000C	330	3	89,3	9674	0231

Upgrade kit for forced steering ROE 74L026 (optional)

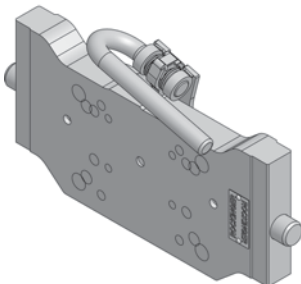


RO*825B5000C ball hitch with height-adjustable hitch support

ROE	Track width (mm)	S (t)	D (kN)	ABG M	EG e1
74L044	330	3	89,3	9887	0400

Upgrade kit for forced steering ROE 74L026 (optional)

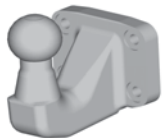
Accessories



Kuheight-adjustable hitch support with SW 330

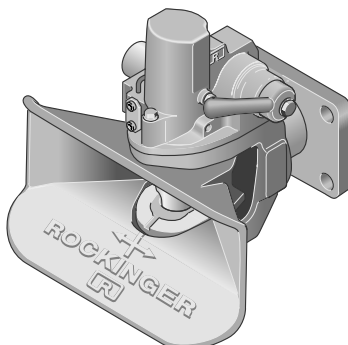
RO	Track width (mm)	S* (t)	D (kN)	Hole pattern (mm)	Screw (mm)	Bolt (mm)
899D30100	330	2/0	89,3/102	83x 56	M10	25
899D30300	330	2/0	89,3/102	120x 55	M14	25
899D30400	330	2/0	89,3/102	140x 80	M16	25
899D30501	330	3/0	89,3/102	160x100	M20	25

* For hitch 560 adapter 71053 necessary – S = 0 t



Ball hitch 50 mm for car trailers

RO	Hole pattern (mm)	D (kN)	S (kg)	EG e4
KK260	83x56	22,5	275	2462
KK370	83x56	24,8	300	2358
KK390	83x56	22,1	270	2124



Automatic hitch with 50 mm pin for truck trailers

RO	Hole pattern (mm)	S ³ (t)	D (kN)	Dc ² (kN)	V ² (kN)	ABG M	EG94/20 Kl. S e1
560A6000C	160x100	1,0	190	106	45,6	–	0404
560B6000C ¹	160x100	1,0	190	106	45,6	–	0404

¹ Handlever downwards ² by using outside of agriculture use

³ With hitch support ROE 70904 – S = 1 t

S = vertical load

D = D-value

ABG + EG = Homologation

www.jost-world.com **JOST**

