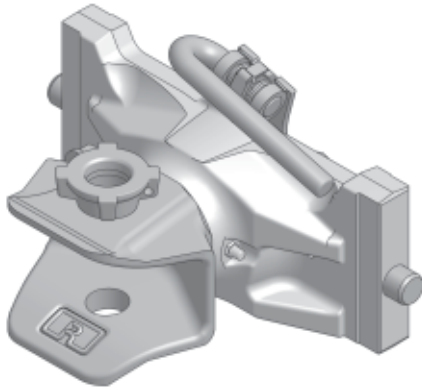


Hitches for Deutz ladder rails with different track widths

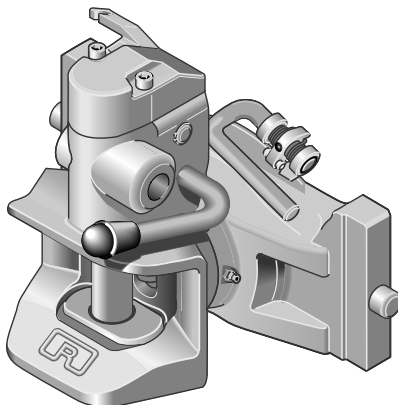
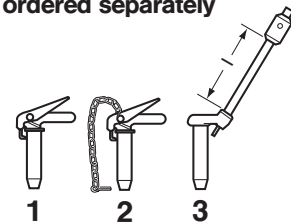


RO*810D manual hitch with 30.5 mm pin*

RO	Track width (mm)	S (t)	D (kN)	ABG M	EG e1
810D10004	310	2,0	97,1	4463	0019
810D23004	323	2,0	97,1	4463	0019
810D30004	330	2,0	97,1	4463	0019
810D36004	336	2,0	97,1	4463	0019

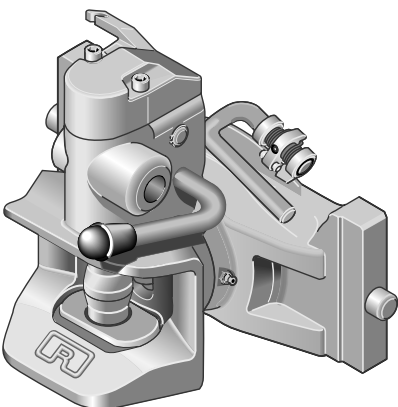
* Hitch pins have to be ordered separately

- 1 = ROE 66887
- 2 = ROE 66984
- 3 = ROE 67086



RO*850D automatic hitch with 30.6 mm pin

RO	Track width (mm)	S (t)	D (kN)	ABG M	EG e1
850D10300	310	2,0	97,1	4882	0032
850D23300	323	2,0	97,1	4882	0032
850D30300	330	2,0	97,1	4882	0032
850D36300	336	2,0	97,1	4882	0032

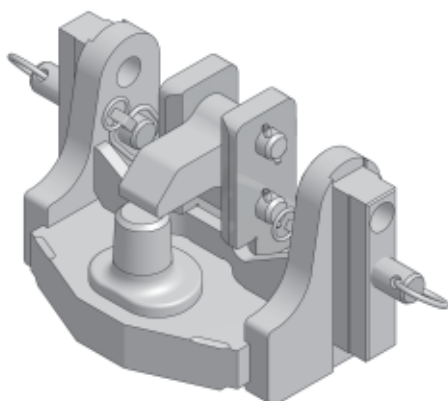


RO*860D automatic hitch with 38 mm pin

RO	Track width (mm)	S (t)	D (kN)	ABG N	EG e1
860D10300	310	2,0	97,1	3150	0086
860D23300	323	2,0	97,1	3150	0086
860D30300	330	2,0	97,1	3150	0086
860D36300	336	2,0	97,1	3150	0086
860F30300*	330	2,0	97,1	3150	0086

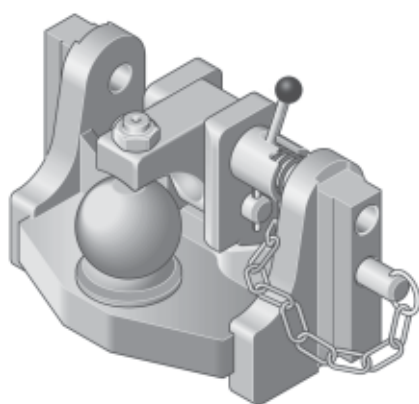
* For ladder rails of the brand CBM with SW 330 and 20 mm pin

Piton-Fix and ball hitches for Deutz ladder rails



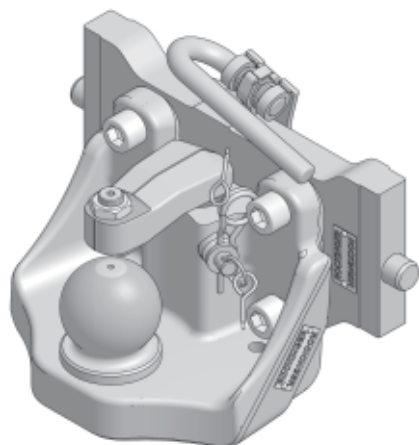
RO*820A Piton-Fix

RO	Track width (mm)	S (t)	D (kN)	ABG M	EG e1
820A30100	330	3,0	89,3	9896	0399
820A36100	336	3,0	89,3	9896	0399
820A10100	310	3,0	89,3	9896	0399
820A23100	323	3,0	89,3	9896	0399



RO*825A ball hitch

RO	Track width (mm)	S* (t)	D (kN)	ABG M	EG e1
825A3000C	330	3,0	89,3	9674	0231
825A1000C	310	3,0	89,3	9674	0231
825A2300C	323	3,0	89,3	9674	0231
825A3600C	336	3,0	89,3	9674	0231



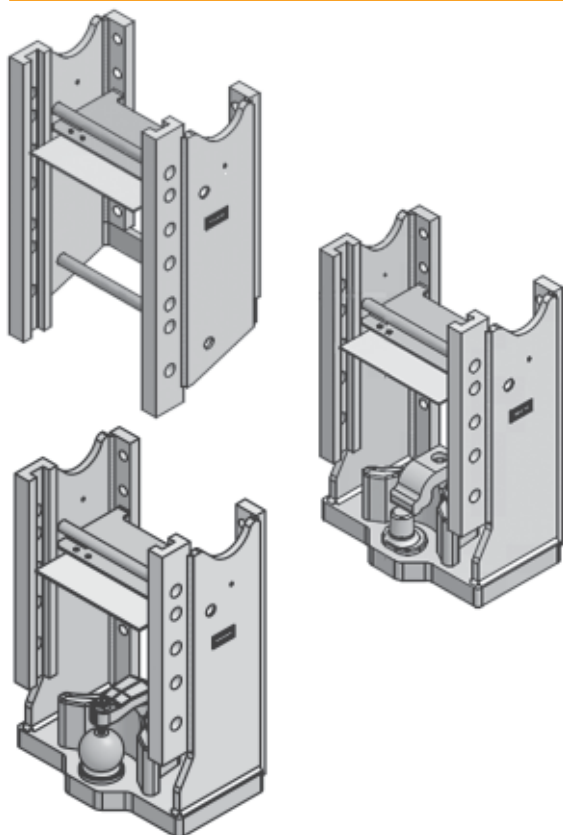
RO*825B ball hitch with height-adjustable hitch support

ROE	Track width (mm)	S* (t)	D (kN)	ABG M	EG e1
74L044	330	3,0	89,3	9887	0400
74L045	310	3,0	89,3	9887	0400
74L046	323	3,0	89,3	9887	0400
74L047	336	3,0	89,3	9887	0400
74L109*	330	3,0	89,3	9887	0400

* For ladder rails of the brand CBM with SW 330 and 20 mm pin

Ladder rails for Agrotron with ZF 7100/7200

K410 / K420 / K610 / K430 / M 600 / M 610 / M 620 / M 640 / M 650
 80 / 85 / 90 / 100 / 105 / 106 / 108 / 110 / 118 / 120 / 128 / 130 / 135 / 140 / 150 / 155 / 165
 4.70 / 4.80 / 4.85 / 4.90 / 4.95 / 6.00 / 6.05 / 6.15 / 6.20 / 6.30 / 6.45



RO*880A13001 standard ladder

RO	Track width (mm)	S	D (t)	ABG M	EG e1
880A13001	330	2	84,3	9783	0311

RO*880C1300C ladder with integrated Piton-Fix

RO	Spurweite (mm)	S* (t)	D (kN)	ABG M	EG e1
880C1300C	330	2	84,3	9783	0311

* for Piton-Fix 3t vertical load capacity

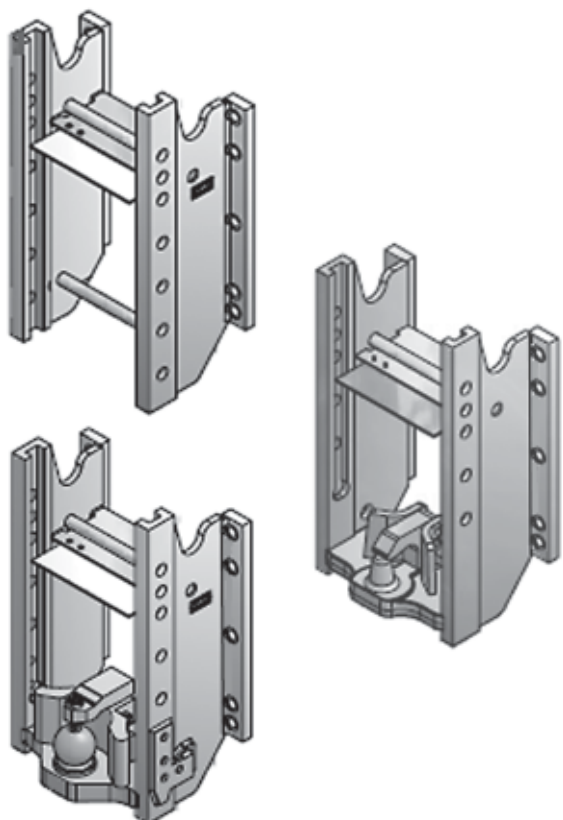
RO*880I1300C ladder with integrated ball hitch

RO	Track width (mm)	S* (t)	D (kN)	ABG M	EG e1
880I1300C	330	2	84,3	9783	0311

* for ball hitch 3t vertical load capacity

Ladder rails for Agrotron with ZF 7300

710 / 720 ● 210 / 215 / 230 / 235 / 260 / 265 ● TTV 1130 / TTV 1145 / TTV 1160



RO*880A1200C standard ladder

RO	Track width (mm)	S*	D (t)	ABG M	EG e1
880A1200C	330	2	93,7	9975	0443

RO*880C1200C ladder with integrated Piton-Fix

RO	Track width (mm)	S* (t)	D (kN)	ABG M	EG e1
880C1200C	330	2	93,7	9975	0443

* for Piton-Fix 3t vertical load capacity

RO*880I1200C Anhängenbock mit integrierter Kugel

RO	Track width (mm)	S* (t)	D (kN)	ABG M	EG e1
880I1200C	330	2	93,7	9975	0443

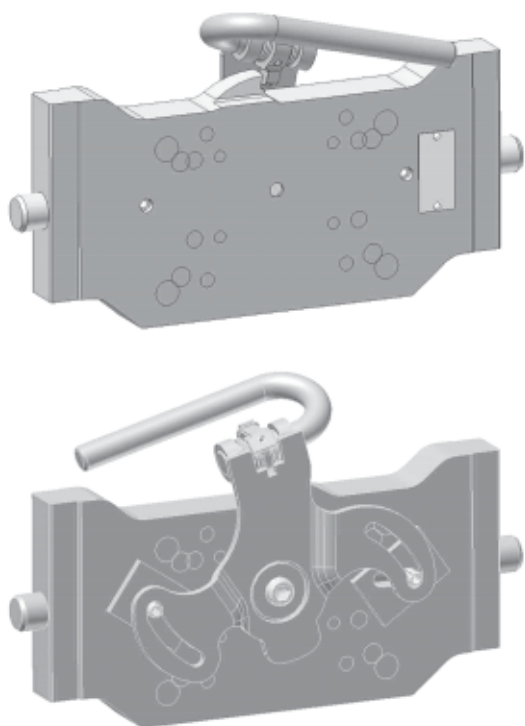
* for ball hitch 3t vertical load capacity

Upgrade kit for forced steering

ROE 74 L021 left

ROE 74 L022 right

Hitch supports for height adjustable ladder rails

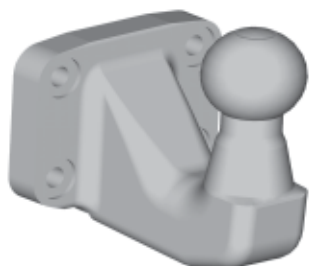


Typ / RO	Track width (mm)	S* (t)	D (kN)	Hole pattern (mm)	Screws (mm)	Pins (mm)
899D30100	330	2/0	89,3/102	83x 56	M10	25
899D30300	330	2/0	89,3/102	120x 55	M14	25
899D30400	330	2/0	89,3/102	140x 80	M16	25
899D30501	330	3/0	89,3/102	160x100	M20	25
899D10100	310	2/0	89,3/102	83x 56	M10	22
899D10300	310	2/0	89,3/102	120x 55	M14	22
899D10400	310	2/0	89,3/102	140x 80	M16	22
899D10501	310	3/0	89,3/102	160x100	M20	22
899D23100	323	2/0	89,3/102	83x 56	M10	22
899D23300	323	2/0	89,3/102	120x 55	M14	22
899D23400	323	2/0	89,3/102	140x 80	M16	22
899D23501	323	3/0	89,3/102	160x100	M20	22
899D36100	336	2/0	89,3/102	83x 56	M10	22
899D36300	336	2/0	89,3/102	120x 55	M14	22
899D36400	336	2/0	89,3/102	140x 80	M16	22
899D36501	336	3/0	89,3/102	160x100	M20	22
899F30500**	330	3/0	89,3/102	160x100	M20	20

* Vertical load capacity depends on the support length

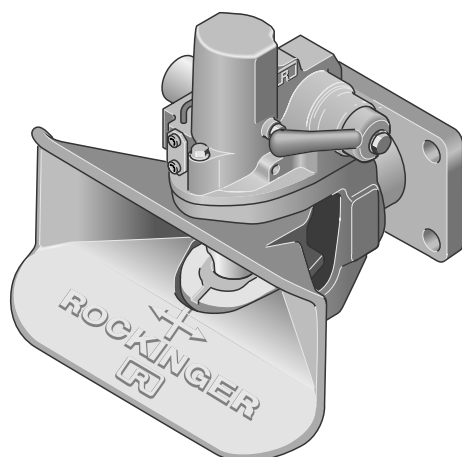
** For ladders of the brand CBM with SW 330 and 20 mm pin

Ball hitch 50 mm for car trailer



RO	Hole pattern (mm)	D (kN)	S (kg)	EG e4
KK260	83x56	22,5	275	2462
KK370	83x56	24,8	300	2358
KK390	83x56	22,1	270	2124

Automatic hitch with 50 mm pin for truck trailers



RO	Hole pattern (mm)	S ³ (t)	D (kN)	Dc ² (kN)	V ² (kN)	ABG M	EG94/20 Kl. S e1
560A6000C	160x100	1,0	190	106	45,6	-	0404
560B6000C ¹	160x100	1,0	190	106	45,6	-	0404

¹ Handlever downwards ² by using outside of agriculture use

³ With hitch support ROE 70904 – S = 1 t

