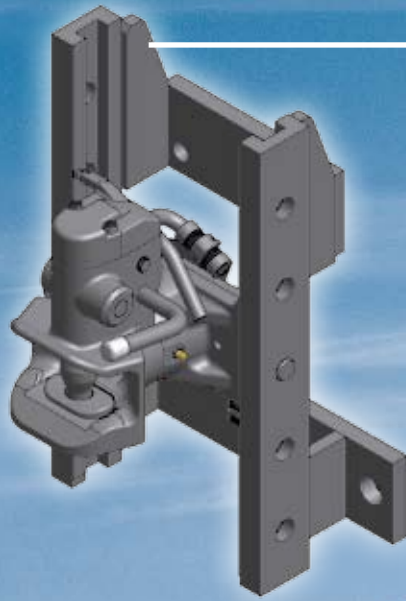


ROCKINGER Towing Hitch



Set consisting of drawbar bracket and automatic towing hitch \varnothing 38 mm (ROE 74L143)

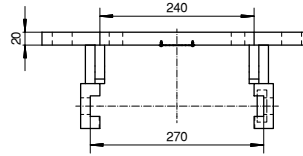
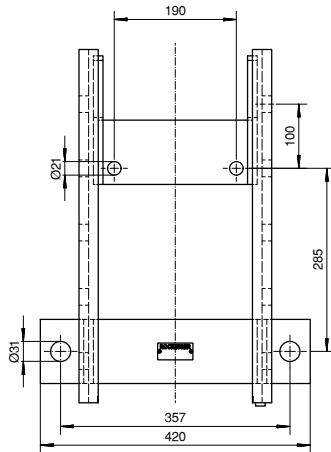
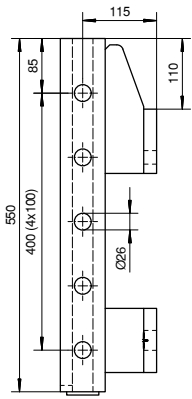


For the Manitou telescopic handler

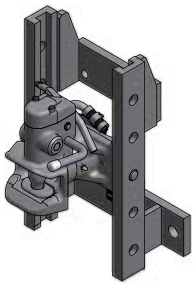
- for type: MLT 627/633/634/730/731/735/742/1035
- height can be adjusted quickly
- lowest hitch point below M30 fixing screws
- automatic towing hitch \varnothing 30/38 mm
- 1.6 t vertical load, D value 70 kN, track width 270 mm
- ball 50 for cars
- Set ROE74L143 consists of: drawbar bracket and automatic towing hitch \varnothing 38 mm

www.rockinger-agriculture.de

Technical Specifications



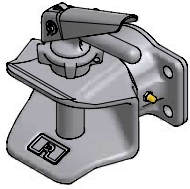
Drawbar bracket with coupling



- drawbar bracket for height-adjustable couplings
- complete with automatic towing hitch
- ball-shaped coupling pin: \varnothing 38 mm
- ready for mechanical remote control

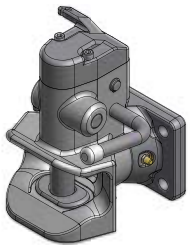
R0	Track width (mm)	S (t)	D (kN)	ABG M	EG e1
881A0200C	270	1,6	70	9855	0378
860D7030C	270/25/32	2	70	10004	0470

Manual towing hitch with flange bearing



R0	Hole pattern	S (t)	D (kN)	Single hand pin	ABG M	EG e1
810B40505	140x80	2,0	78,2	66887	4916	0027

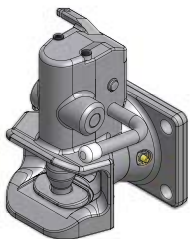
Automatic towing hitch with flange



- cylindrical coupling pin: \varnothing 30.6 mm
- ready for mechanical remote control

R0	Hole pattern	S (t)	D (kN)	Single hand pin	ABG M	EG e1
850B40302	140x80	2,0	78,2	-	N4874	0031

Automatic towing hitch with flange



- ball-shaped coupling pin: \varnothing 38 mm
- ready for mechanical remote control

R0	Hole pattern	S (t)	D (kN)	Single hand pin	ABG M	EG e1
860B4030C	140x80	2,0	78,2	-	N3151	0085

