

# Retrofit instructions for cable guard plate JSK 37 C - Sensor

## General

- ▶ Conversion work must be carried out by trained personnel in suitable workshops.
- ▶ Repair work is to be carried out using suitable tools and state of the art methods.
- ▶ Only use the new screws and nuts provided with the repair kit.

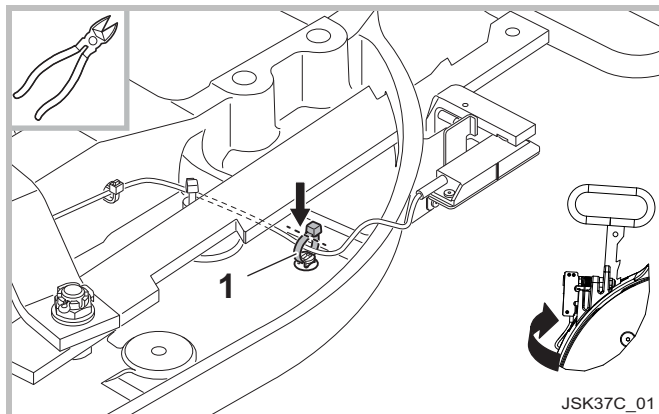
**⚠ The prescribed tightening torques must be adhered to!**

**⚠ Worn, damaged and cracked parts must always be replaced.**

## Tools



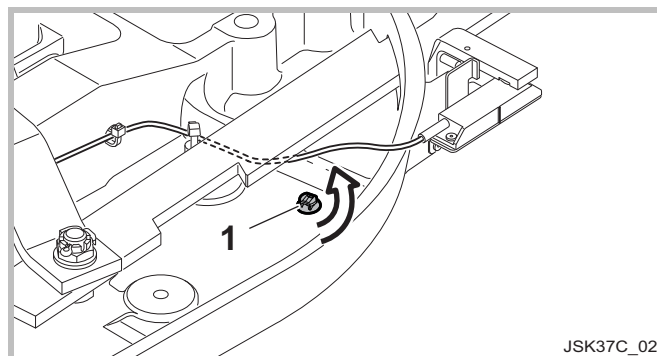
## Removal of cable ties



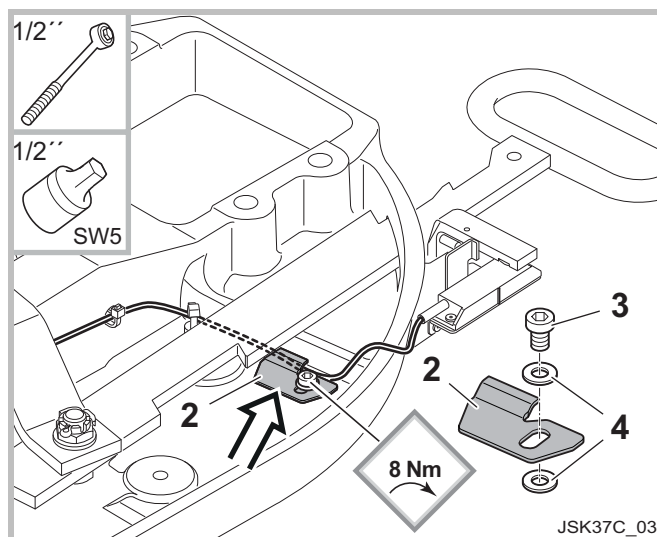
**⚠ Ensure that the cable sleeve is not damaged during the following step!**

- ▶ Carefully cut open the cable ties (1) on the underside of the fifth wheel plate at the point shown (arrow).

## Fitting the guard plate



- ▶ Unscrew the mounting dome (1) by turning it anti-clockwise out of the threaded hole.



**⚠ Ensure that the cable is not crushed during the following step!**

- ▶ Insert the cable under the guard plate (2).
- ▶ Fit the guard plate (2) with the screw (3) and washers (4) as shown.
- ▶ Push the guard plate (2) onto the rib (arrow) and tighten the screw (3) to the torque specified.