

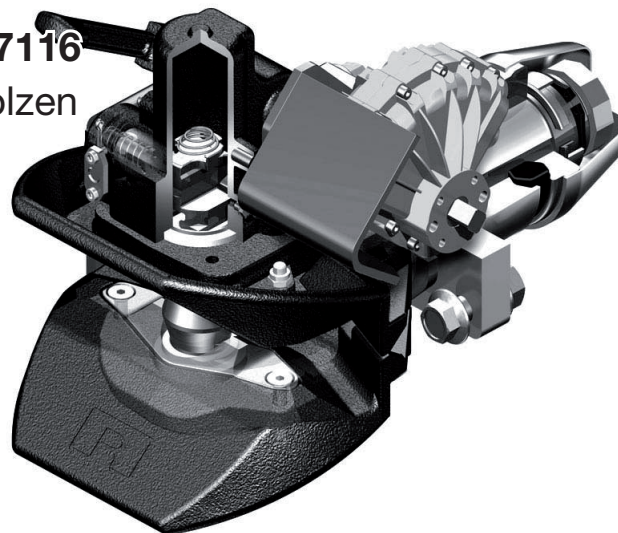
RO★57



Reparaturanleitung | Repair instructions | Reparationsvejledning | Reparationsanvisning | Руководство по монтажу

ROE71192, ROE71198, ROE47116

- Ⓓ Automatikeinheit, Kupplungsbolzen
- ⒼⒷ Automatic unit, Coupling pin
- ⒹⓀ Automatenhed, Koblingsbolt
- ⒮ Mekanism, Kopplingsbult
- ⒮⒮ Автоматический блок,
Сцепной шкворень



Liability

ROCKINGER assumes no guarantee for the completeness and correctness of the information. The contents of the instructions cannot be used to substantiate any claims. In particular, no liability is assumed for damages which are the result of incorrect repair or maintenance work.

Copyright

All the rights to these instructions and their annexes remain with ROCKINGER.

Emphasis in the text

Explanation of symbols

For ease of readability and to provide a clear overview, different types of information are marked in different ways.

Sentences introduced with an arrow contain instructions to perform certain actions:

- Carry out instructions one after the other in the sequence described.

The following information is introduced by a dash:

- Lists
- Preconditions for actions to be executed subsequently
- Descriptions of previous work steps
- Descriptions of statuses

Warnings of hazards and risks

Important passages which must be observed, are especially emphasised:



DANGER!

Warns against immediate dangers which could lead to serious injury or death.

- Provides instructions for defence against or avoidance of dangers.

**WARNING!**

Warns against risks which could lead to serious injury or death.

- Demands safety measures to protect the persons concerned

**CAUTION!**

Warns against risks which could lead to damage to property or personal injury (light injury).

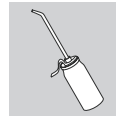
- Provides information for prevention of damage

Illustrations

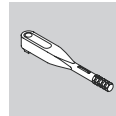
As necessary, texts are illustrated by pictures. The reference to a figure is made with a number in [square brackets]. Capital letters after a figure number, e.g. [12A] refer to the corresponding position in the picture.

Binding information**LUBRICANTS:**

- Lubricant for the previously described activity

**TIGHTENING TORQUES:**

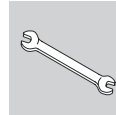
- Tightening torques for the listed bolted connections

**Supplementary information**

The information symbol refers to instructions and recommendations as well as additional information.

**TOOLS:**

- List of the tools necessary for the subsequently described activities.

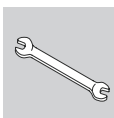


Automatic unit

Requirements

- Machine is depressurized (only in coupling with pneumatic remote control)

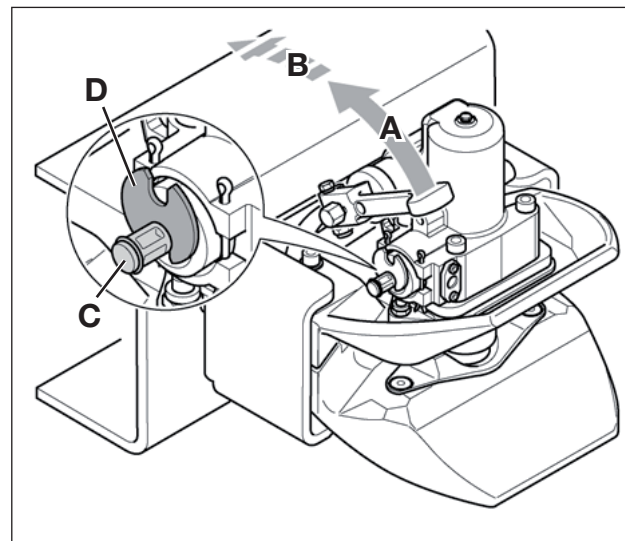
TOOLS:



- Open-end wrench SW 13
- Torque wrench
- Hexagon socket screwdriver 10
- Hexagon socket screwdriver set 8 (only for pneumatic remote control)
- Locking plate for part no. ROE 65 632

Disassembly

- Remove earthing cable
- Open coupling with hand lever [1A]
- Slightly pull out control pin on the safety [1C] and immobilize with locking plate [1D]. Do not damage the rubber seal

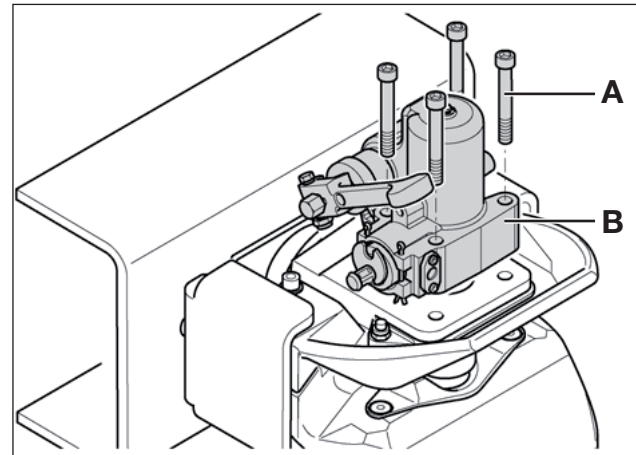


- [1] **A** Open coupling
B Close coupling
C Lock
D Locking plate (ROE 65 632)

- Close coupling again. To do this, carefully press the hand lever slightly upward [1B] and release again
- Remove the 4 fastening screws [2A]
- Completely lift automatic unit [2B]

The following additional tasks are to be performed when hitching with pneumatic remote control:

- Remove fastening screw [3A].
- Remove spacing bushing [3B]

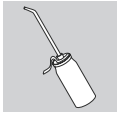


- [2] **A** Fastening screw
B Automatic unit

Installation

Installation proceeds in the opposite order. When doing so, particularly note the following actions:

- Lubricate the automatic unit in the coupling pin receiver before installation



LUBRICANTS:

- Special lubricant (ROE 96 017), included in contents of the Automatic unit spare part shipment

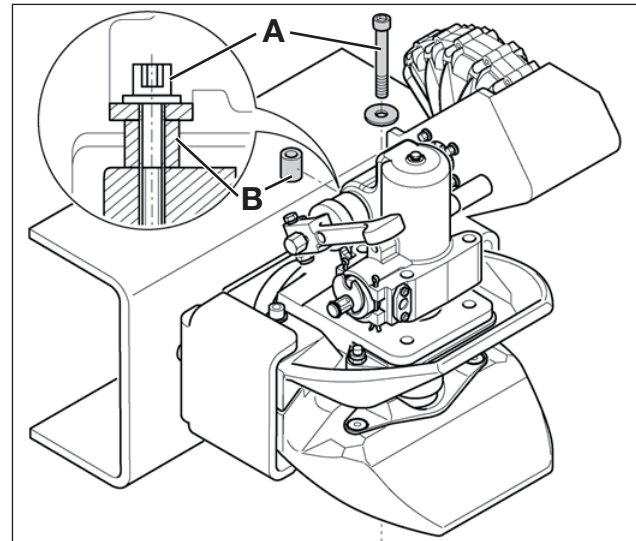
The following tasks are to be performed when hitching with pneumatic remote control:

- Install distance bushing between the part-turn actuator and the automatic unit [3B]



TIGHTENING TORQUES:

- Automatic unit on coupling jaw: 85 + 10 Nm
- Apron (part-turn actuator) to coupling jaw: 45 + 10 Nm



[3] **A** Fastening screw
B Spacing bushing

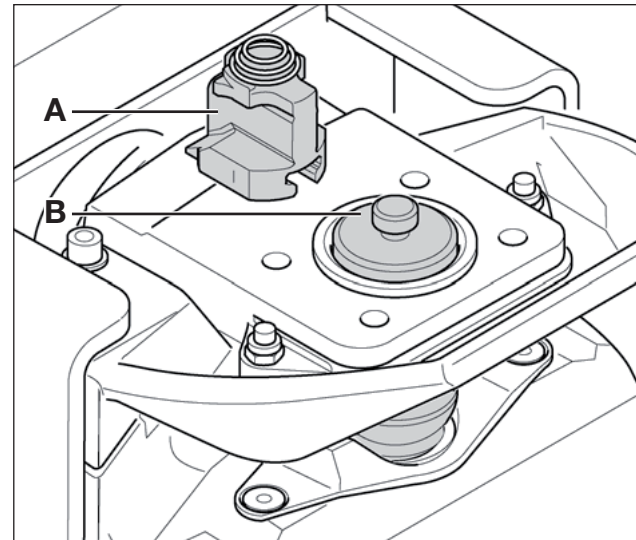
Coupling pin

Requirements

- Automatic unit disassembled

Disassembly

- Disconnect guide [4A] downward from the coupling pin [4B]
- Remove coupling pin from drawbar



- [4] A Guide
B Coupling pin



Technische Änderungen vorbehalten.
Aktuelle Informationen finden Sie unter:
www.jost-world.com

Technical modifications reserved.
For up-to-date information, please visit:
www.jost-world.com

Tekniske endringer kan forekomme!
Før senest information, se:
www.jost-word.com

Förbehåll för tekniska ändringar!
För senaste information, se:
www.jost-world.com

Мы сохраняем за собой право вносить
технические изменения. Актуальную
информацию смотрите по адресу:
www.jost-world.com

JOST-Werke
Siemensstr. 2
D-63263 Neu-Isenburg
Telefon +49(0)61 02295- 0
Fax +49(0)61 02295-298
www.jost-world.com