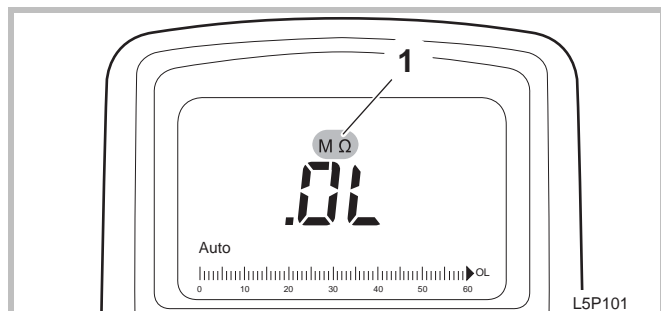


## Preparation

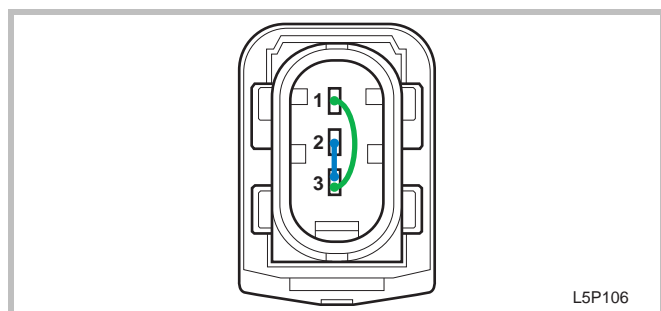


- ▶ Set the selector switch on the device to resistance measurement (Ohm  $\Omega$ ).

## Note

Note the unit of measurement (1).  
In some cases, the digital multimeter will require 4-5 seconds for its display to stabilise.

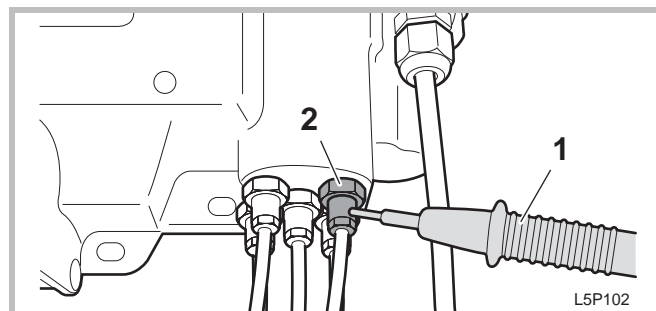
## Test 1



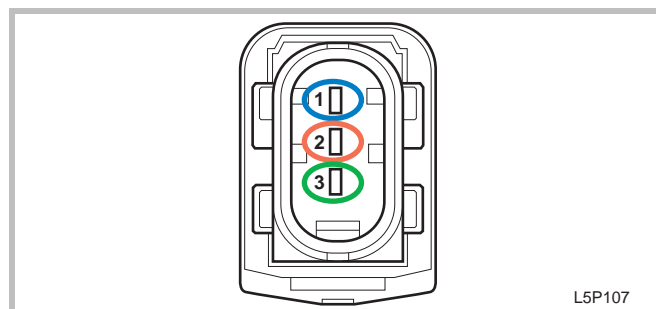
- ▶ With the test probes between the contacts on the connecting plug, perform the following resistance measurements and note down the measured values:

No.	Measurement	Resistance
1.	Between Pin 3 and Pin 2	Greater than 1 M $\Omega$
2.	Between Pin 3 and Pin 1	9 k $\Omega$ - 11 k $\Omega$

## Test 2

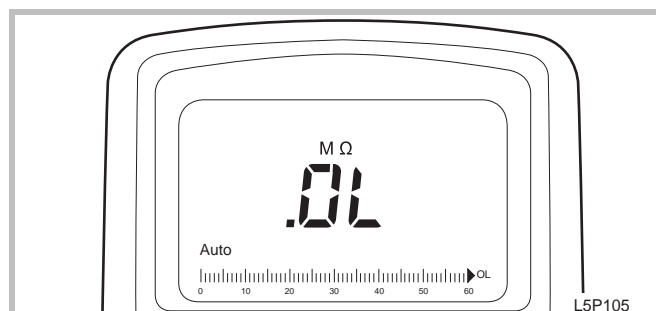


- ▶ Hold a test probe (1) against one of the LubeTronic 5Point threaded hose connections (2).



- ▶ With the second test probe on the contacts of the connecting plug, perform the following resistance measurements:

No.	Measurement
1.	Between threaded hose connection and Pin 1
2.	Between threaded hose connection and Pin 2
3.	Between threaded hose connection and Pin 3



Test 2 is OK if an infinitely high resistance is measured on all measurements.



**If at least one value is not reached on the tests, the LubeTronic 5Point must be replaced.**