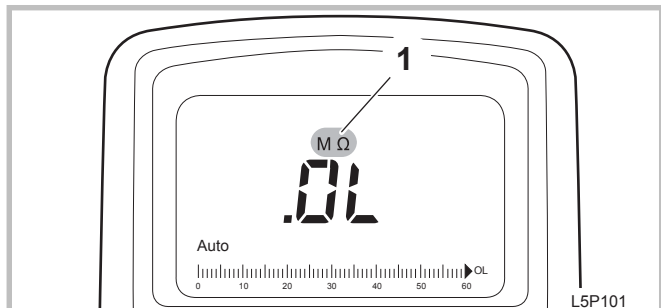


## Preparation

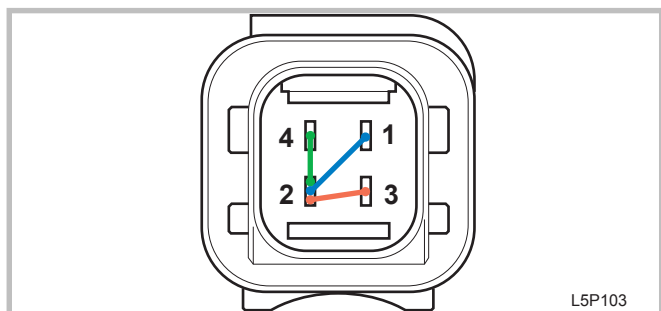


- ▶ Set the selector switch on the measuring device to resistance measurement (Ohm  $\Omega$ ).

### Note

Check dimension unit (1).  
In some cases the digital multimeter will require 4-5 seconds for the display to stabilise.

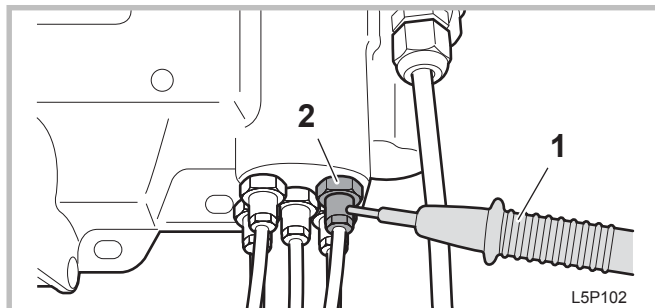
## Test 1



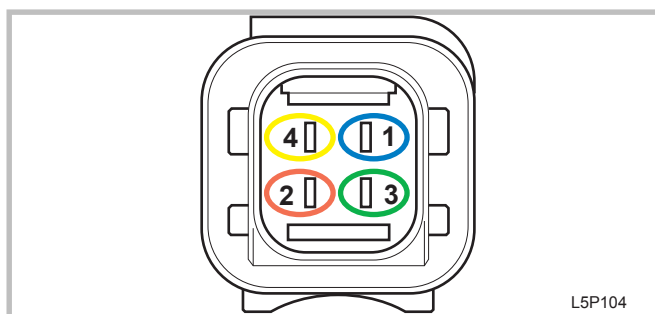
- ▶ Complete the following resistance measurements with the test probes between the contacts on the connection plug and make a note of the measurements:

No.	Measurement	Resistance
1.	Between pin 1 and pin 2	Greater than 1 M $\Omega$
2.	Between pin 2 and pin 3	1.37 k $\Omega$ - 1.57 k $\Omega$
3.	Between pin 2 and pin 4	1.37 k $\Omega$ - 1.57 k $\Omega$

## Test 2

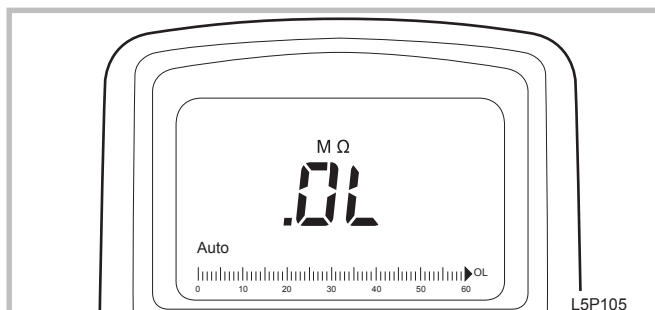


- ▶ Hold a test probe (1) on one of the LubeTronic 5Point hose unions (2).



- ▶ Complete the following resistance measurements with the second test probe on the contacts on the connection plug:

No.	Measurement
1.	Between hose union and pin 1
2.	Between hose union and pin 2
3.	Between hose union and pin 3
4.	Between hose union and pin 4



Test 2 is OK if all the measurements show infinite resistance.



If at least one value is not achieved by both tests, the LubeTronic 5Point must be replaced.