



Drawbar eye D 50-X with flange RO*57284



Drawbar eye RO*57284

Description

Drawbar eye 50 Typ 57284 is approved:

- for direct mounting on frame parts of a trailer
- for mounting on drawbar shafts
- for combination with trailer couplings class C 50 CE (e.g. ROCKINGER series 500, 700, 710, 715).

Drawbar eye 50 without bolts and plate
(hole pattern see p. 2)

ROCKINGER part no. 57284

Drawbar eye type 57284 is usable for:

- **central-axle trailers** with following values:
 - Dc: 113 kN
 - vertical load: 3000 kg
 - V: 43,2 kNor
 - Dc: 135 kN
 - vertical load: 1000 kg
 - V: 90 kN
- **full trailers** up to a D-value of 250 kN without vertical load

Accessoires for drawbar eyes

Set of bolts: part no. 70965

Plate:

plate for welding (200 x 190 x 40): **part no. 70307**

Note:

Not part of the delivery extent of the drawbar eye, but part of the homologation of the drawbar itself.

Welding at the drawbar is not permitted!

The fastening bolts M 20 grade 10.9 are to be screwed with a **tightening torque of 610 Nm** over the crossing.

Check:

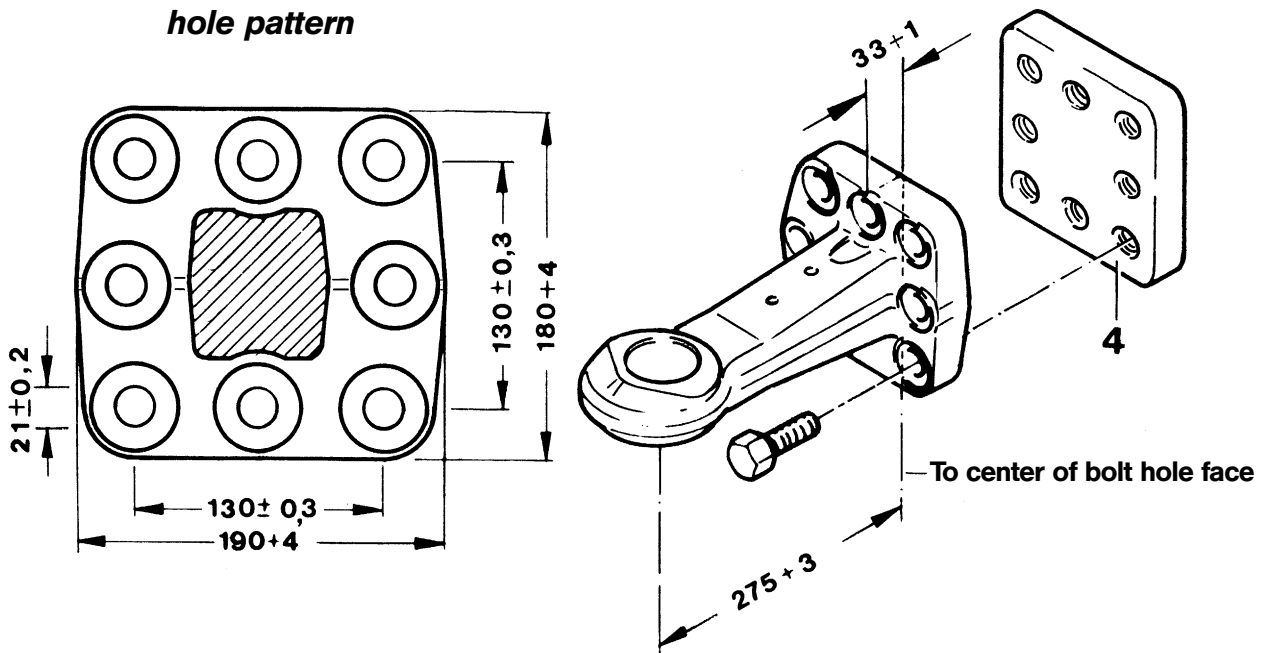
During the maintenance procedure the fastening bolts should be tested with the corresponding tightening torque key.

In case they move, it is necessary to **replace them**, but not to screw them once again.

part no.	accessoires	maximum D-value (kN)	CENTRAL - AXLE TRAILER			weight (kg)
			maximum Dc-value (kN)	maximum static vertical load (kg)	maximum V-value (kN)	
57284	without bolts and plate	250	113 or 135	3000 1000	43,2 90	17,9

calculation of the D-, Dc-, V-value see list E

hole pattern



Accessoires

no.	designation	pcs.	part no.
4	plate for welding (200 x 190 x 40)*	1	70307

Note:

Please comply with the following:

- applicable national regulations
- vehicle manufacturer's specifications

* Not part of the delivery extent of the drawbar eye, but part of the homologation of the drawbar itself.