



ROCKINGER

Montage- und Betriebsanleitung

D

Installation and operating instructions

GB

Instructions de montage et d'utilisation

F

Monterings- og bruksanvisningen

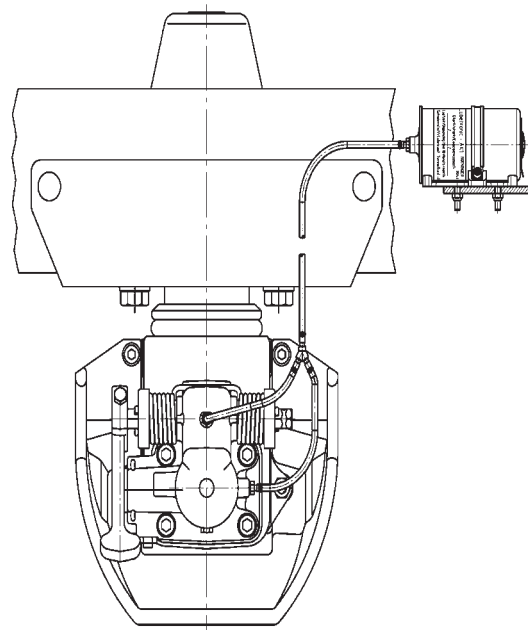
N

Member of JOST-World

LubeTronic

AK1 ROE 71624-1

AK2 ROE 71624-2



Retrofit kit: supplementary lubrication LubeTronic

Suitable for the following trailer couplings:
 RO*400, RO*430, RO*40E, RO*40CH,
 RO*50, RO*50E, RO*50BNA, RO*50flex
 RO*57, RO*57flex, RO*500



The equipment may only be installed by qualified personnel!

Read these instructions carefully before installation!

Official note

When installing the retrofit kit, EC directive 94/20, in particular annex VII and ECE 55 R1, Annex 7 must be observed.

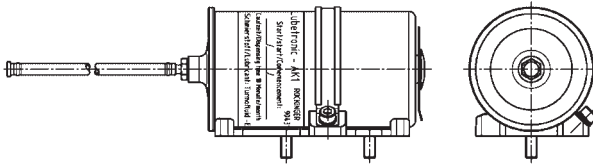
The installation and operating instructions must be kept in the vehicle.

We reserve the right to make technical changes.

1. Installation	12 – 14
1.1 Correct usage	12
1.2 Installation of the lubricator	13
1.3 Connection of the lubrication line	14
<hr/>	
2. Operation	15
2.1 Start-up	15
2.2 Replacement after use	15
<hr/>	
3. Technical data – retrofit kits	16 – 18
3.1 AK-1 ROE71624-1	16 – 18
3.2 AK-2 ROE71624-2	17 – 18

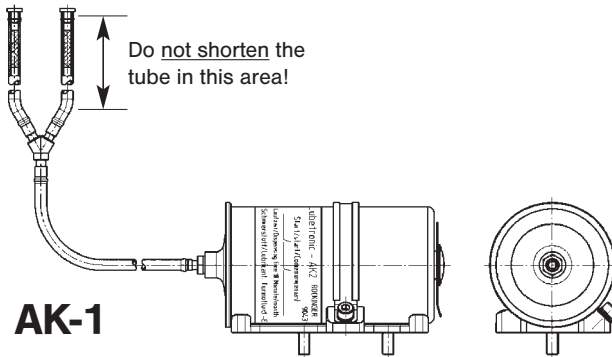


AK-1



Do not shorten the tube in this area!

AK-1



1.1 Correct usage

Any lubricating grease will lose its lubrication properties over time. The lubricator dispenses oil into the old lubrication grease, thereby optimizing the lubrication properties of the grease. The lubricators **LubeTronic AK-1** and **AK-2** are both designed for fully automatic supplementary lubrication of the pre-greased automatic system of a trailer coupling.

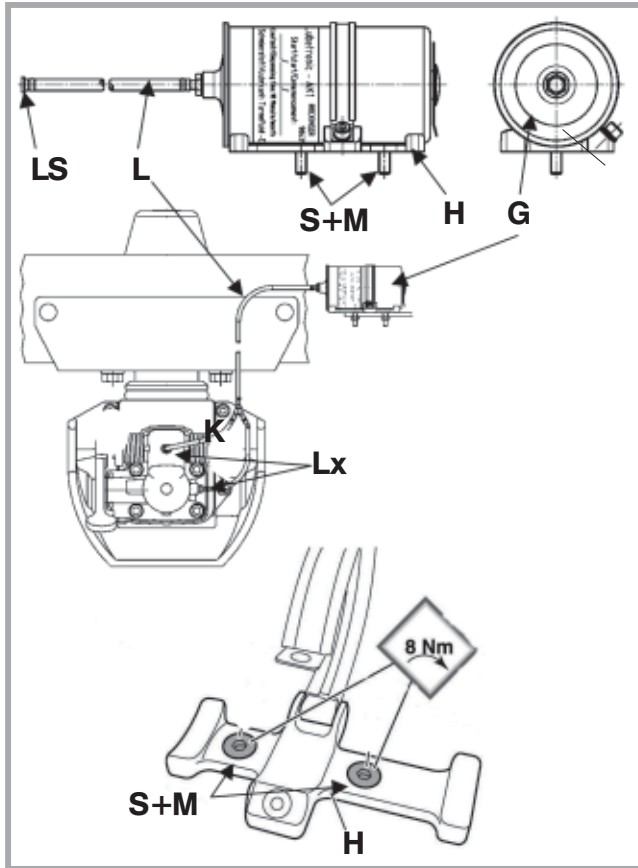
- The LubeTronic consists of a cartridge filled with a special oil.
- The permissible operating temperature of the lubricator ranges between ca. -30°C and $+70^{\circ}\text{C}$.
- At operating temperatures lower than ca. -30°C , the lubricator does not dispense any oil.
- When the coupling is again operated within the permissible operating temperature range, the lubricator starts working again.

The system is not suitable for permanent operation under -30°C !

1.1.1 AK-1 dispenses ca. 2 drops of oil in 12 hours

1.1.2 AK-2 dispenses ca. 1 drop of oil per lubrication point in 12 hours

- The service life for both lubricators is ca. 18 months.
- Depending on the operation conditions, the service life may vary.
- The operation of the Lubetronic lubricators does not involve any intervention in the trailer coupling mechanism.

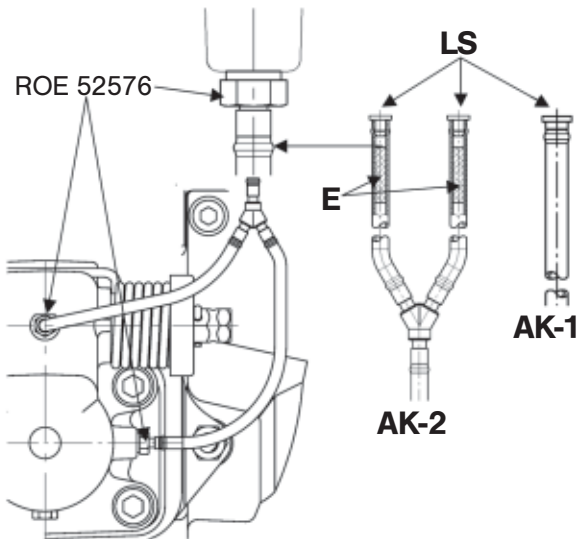
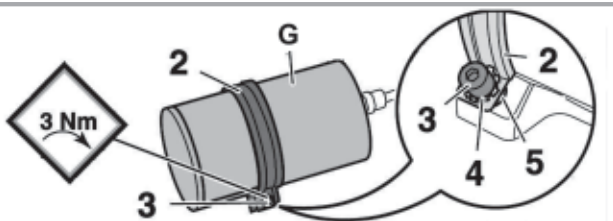


- G** 1x lubricator
- H** 1x holder
- S** 2x countersunk screws M 6x...lg -8.8 } **not supplied**
ISO 10642 or DIN 7991
- M** 2x self-locking hex nuts M6-8 DIN 6925
- L** 1x lubricant line \varnothing 6 mm
- LS** 1x sealing cap
- Lx** lubrication point

1.2 Installation of the lubricator

- Find a suitable fastening point for the lubricator at a maximum distance of 0.6 m from the coupling.
- Bore two \varnothing 6.5 mm mm holes at a distance of 45 mm.
- Select the distance in such a way that the lubrication lines can follow any possible rotation of the coupling head by ca. \pm 30 degrees without breaking.
- Fasten the holder with 2x countersunk bolts M 6 and 2 x self-locking hex nuts. **Tightening torque 8 Nm**





- Place the lubricator **G** in the holder **H** and align it in such a way **that the clip 2 engages with the groove around the lubricator** – otherwise there will be **function problems**.



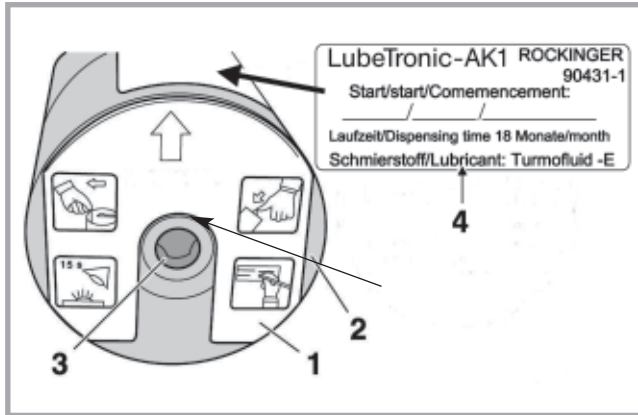
- Press the clip **2** up to the holder **H**.
- Zwischen Bügel und Halter eine Beilagscheibe **5** einschieben
- Slide a washer **5** between the clip and the holder.
- Fasten the clip with the Allen bolt **3** and the toothed washer **4** at the holder **H**. **Tightening torque 3 Nm**.
- Make sure that the nose of the clip remains in the groove around the lubricator.

1.3 Connection of the lubrication line

- Unscrew the lubricating nipple or plug screw at the automatic coupling mechanism.
- Screw in the tube adapter ROE 52576 with a **tightening torque of 25 Nm**.
- Remove the sealing cap **LS** from the lubrication line and slide the free tube end over the tube nipple of the tube adapter until almost the end.

Attention: Do not pull the lubrication line off the lubricator because the line is already pre-filled with oil.

In the **AK-2** the inserts **E** **must not be removed from the line** as otherwise the dosage no longer corresponds to the specifications.



2.1 Start-up

- Remove the protective cap **1** from the lubricator **2**.
- Press hard on the button **3** on the lubricator **2**.
- Take note of the start date on the sticker **4**.

Note: To confirm the activation of the lubricator **2**, the LED in the button **3** lights up for 15 seconds.

The lubricator can only be activated once and can then not be deactivated.

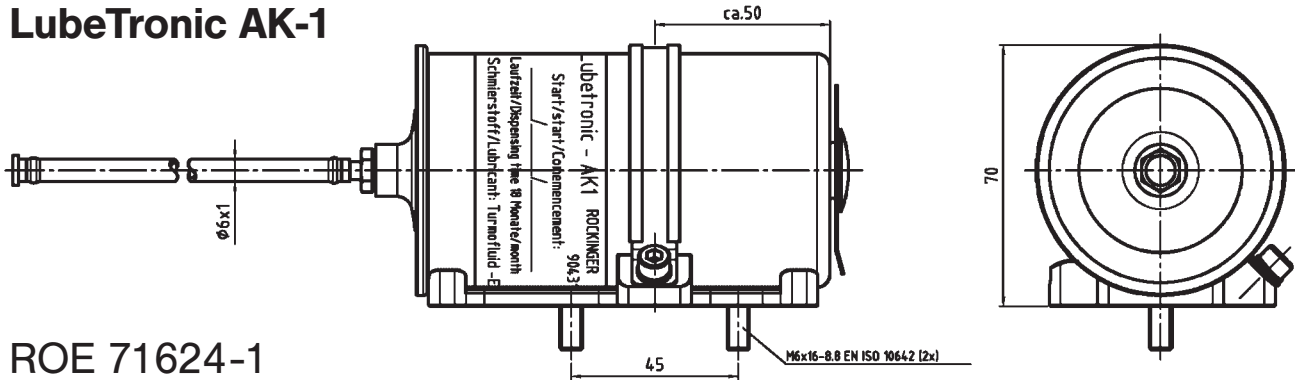
During operation the LED lights up 1x ever 2 minutes.

2.2 Exchange after use

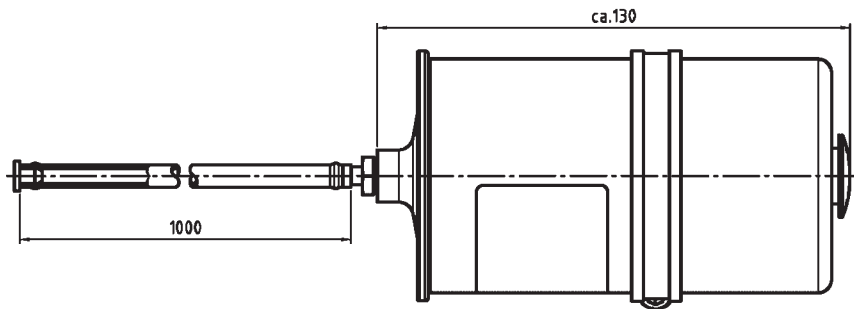
- **When the lubricator is empty the LED lights up at intervals of 5 seconds.**
- Remove the lubrication line(s) from the tube adapter at the lubrication point.
- Open the fastening clip in the reverse order to that described under **1.2**.
- Take the lubricator out of the holder and **dispose of it as electronic waste.**
- Carry out disposal in compliance with the legal stipulations.

Contact your local collection center or the JOST customer service for information on waste disposal.

LubeTronic AK-1



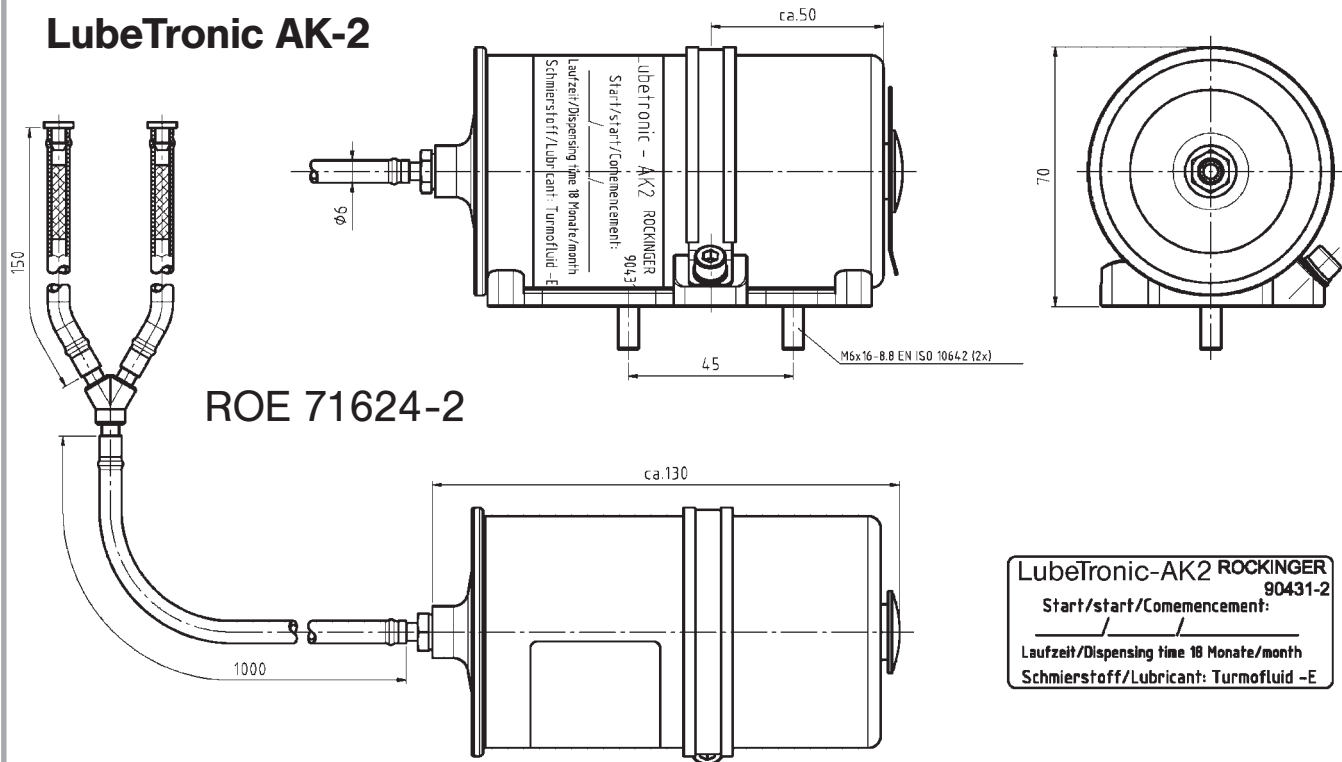
ROE 71624-1



LubeTronic-AK1 ROCKINGER
90431-1
Start/start/Comencement:

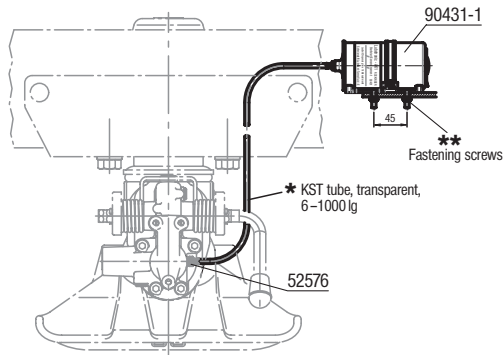
Laufzeit/Dispensing time 10 Monate/month
Schmierstoff/Lubricant: Turmofluid -E

LubeTronic AK-2





AK-1



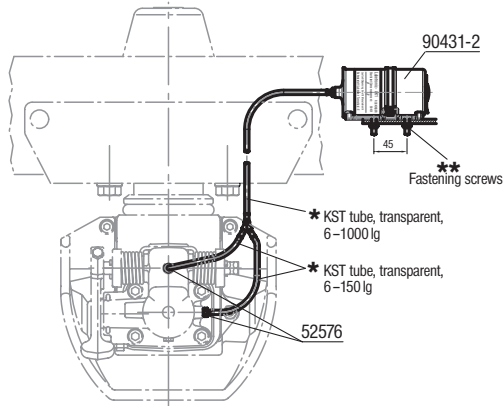
Upgrade kit	LubeTronic AK-1 90431-1	Threaded lubricator nipple M8x1/DN4 52576	Installation instructions 88254-0	for AK type:								
				RO*400	RO*430	RO*40CH	RO*40E	RO*500	RO*50	RO*50E	RO*50-flex	RO*50 BNA
ROE71624-1	1x*	1x*	1x*	X	X	X	X	X	X	X	X	X

* supplied
** not supplied

Sticker

Lubetronic - AK1	ROCKINGER
Start/start/Comencement:	90431-1
Laufzeit/Dispensing time 18 Monate/month	
Schmierstoff/Lubricant: Turmollfuid -E	

AK-2



Upgrade kit	LubeTronic AK-2 90431-2	Threaded lubricator nipple M8x1/DN4 52576	Installation instructions 88254-0	for AK type:								
				RO*57	RO*57-flex							
ROE71624-2	1x*	2x*	1x*	X	X							

* supplied
** not supplied

Sticker

Lubetronic - AK1	ROCKINGER
Start/start/Comencement:	90431-2
Laufzeit/Dispensing time 18 Monate/month	
Schmierstoff/Lubricant: Turmollfuid -E	



JOST-Werke · Siemensstr. 2, D-63263 Neu-Isenburg · Telefon +49(0)61 02 295-0 · Fax +49(0)61 02 295-298 · www.jost-world.com

ZDE 199 88 284-00 · 08/2010