

TD-0



Off-Road Drawbar



Fixed drawbar with integrated hydraulic suspension and automatic traction improvement



Winning advantages

Fully equipped sturdy drawbar for heavy duty off-road use

The TRIDEDEC TD-O fixed drawbar has a modular structure and a unique combination of hydraulic suspension, hydraulic steering and automatic traction improvement. It has been developed specifically for heavy duty off-road use and is a total solution for all trailers for off-road use such as agriculture, forestry and construction.

All functions are controlled by the integrated TRITRONIC electronic control. Moreover, it allows easy operation of all trailer functions – such as dumping, levelling and the support leg – from the driver's seat.

Thanks to a new adapter system, the TRIDEDEC TD-O is suitable for any tractor with a ROCKINGER drawbar bracket without additional conversion measures. The unique advantages of the TRIDEDEC TD-O:

In practice

- Robust design, able to accommodate heavy loads
- More driving comfort
- All-terrain

Increased comfort

- Low maintenance bearings
- Complete integrated steering system
- Load dependent integrated top ram to improve traction of the front axle of the tractor
- Integrated hydraulic support leg

Noticeable savings

- No adjustments on tractor necessary
- All connections are made on tractor ladder
- Command steering cylinder(s) are mounted on the side of the drawbar for added protection
- Low maintenance due to sealed bearings
- Integrated hand pump as emergency control

Optimally adjustable

with TRITRONIC system

- Wireless manual control or via cable
- Axle alignment
- Height adjustment of TD-O drawbar
- Nine additional dual-effect hydraulic functions or 18 electrical functions possible (or a combination of both)



Winning technology

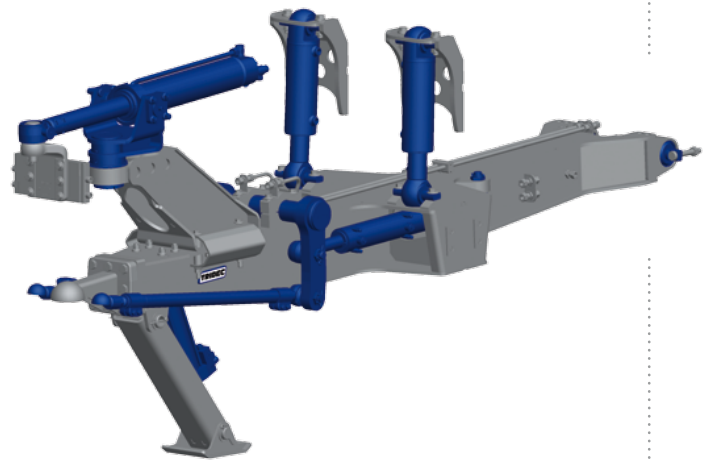
Sturdy, safe, fully equipped

The hydraulically assisted TD-O drawbar from TRIDEC has been designed as an especially robust fixed drawbar for all heavy trailers for off-road use. The drawbar is connected at the front of the vehicle with two hydraulic suspension cylinders and with two silent blocks at the bottom of the vehicle. All bearings require only minimal maintenance. The unique system of supporting the vehicle frame against the drawbar ensures the highest level of stability even in extreme situations, and therefore the greatest degree of safety. This construction also considerably increases driving comfort.

The TRIDEC TD-O can also be equipped with a top-mounted pressure ram. The ram rests against the drawbar bracket on the tractor and is connected to the hydraulic cylinders at the frame suspension.

When the load on the drawbar increases, thereby increasing the pressure on the springs, the top-mounted pressure ram presses up against the drawbar bracket, ensuring improved traction of the front axle of the tractor.

The TRIDEC drawbar also has an integrated hydraulic steering system and a hydraulic support leg, which, like all other hydraulic functions, is controlled via the convenient central TRITRONIC control unit in the driver's cab.



Easy mounting

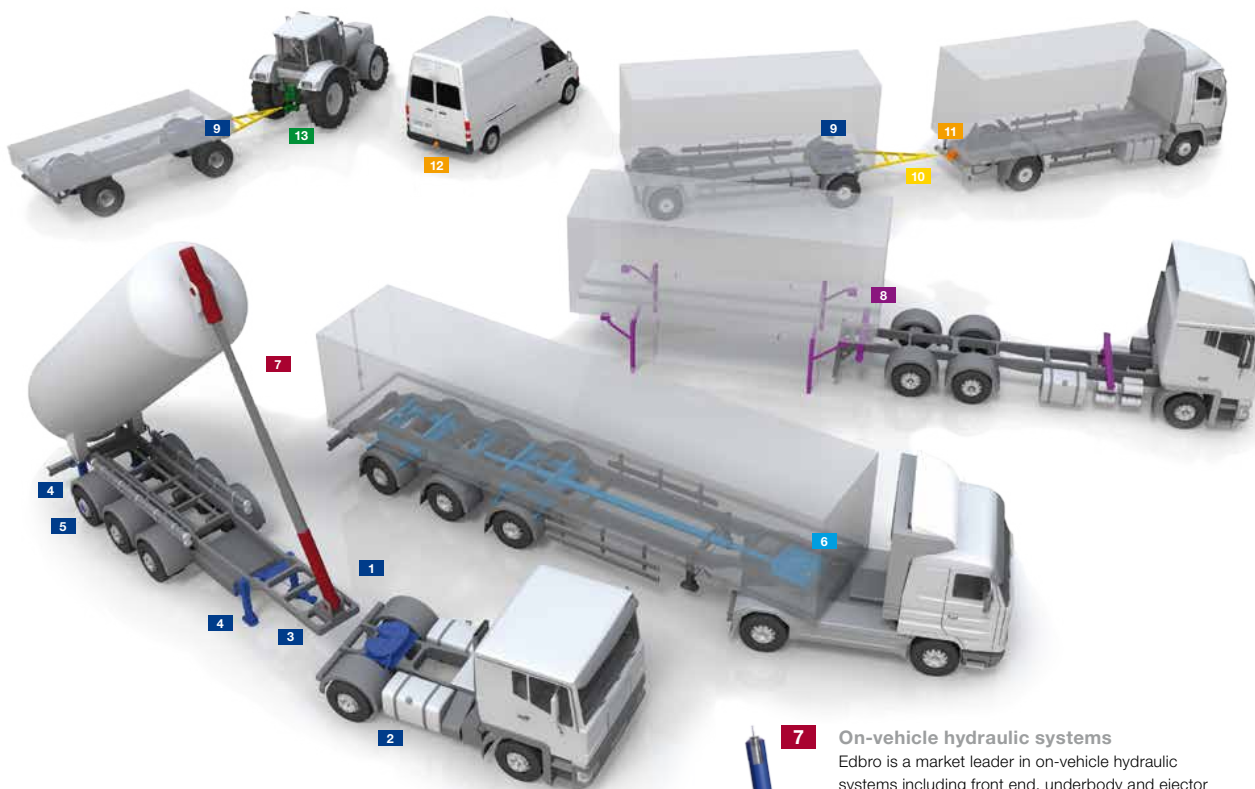
The TRIDEC TD-O uses a modular structure and is delivered with all necessary mounting hardware. It is attached to the vehicle frame using only screw fastenings, which makes mounting it to the vehicle frame extremely simple and straightforward.

Specifications

- Max. permissible vertical load: 4 t
- D-value 97,1 kN
- 60° articulation angle possible
- Spring travel 420 mm at coupling
- ROCKINGER 80 mm calotte for drawbar
- ROCKINGER 50 mm calotte for steering

TRIDEC is an innovative company specialised in the development and manufacture of mechanical and hydraulic steering systems and axle suspension systems for all types of towed vehicles. TRIDEC has been part of JOST-World since 2008.

Products JOST-World



1

Systems

Sensor-controlled systems monitor and automate manual processes, thus providing for more safety and efficiency in your fleet.



2

Fifth wheel couplings

We offer a wide selection of fifth wheel couplings, 2" and 3 1/2" in a wide variety of mounting heights, bearing types and models. The program is completed by mounting plates, sliders and dual height fifth wheel systems.



3

King pins

King pins are available in 2" and 3 1/2" for all systems in various models.



4

Modul landing gear

Any customer specs can be fulfilled thanks to the landing gear's modular construction with variable mounting and bolting heights, its differing crank and connection shaft lengths and its four different foot types. Furthermore, JOST offers a multitude of special landing gears for special applications.



5

Hubodometer

The range of products includes various hubodometers for calculating the distance driven, independent of the vehicle, for all types of wheeled vehicles.



6

TRIDEC

TRIDEC develops and produces – independent from axle or trailer manufacturer – mechanically, hydraulically and electronically controlled steering systems for trailers as well as axle suspension systems.



7

On-vehicle hydraulic systems

Edbro is a market leader in on-vehicle hydraulic systems including front end, underbody and ejector cylinders, waste handling equipment and customised hydraulic kit solutions.



8

Container equipment

Parts for alternating systems, supports, locks and bolsters, swap body lifting devices, guide rollers and bearings – all components required in a flexible fleet.



9

Ball bearing turntables

The ball bearing turn tables and slewing rings were the first products that JOST produced. The wide range of top-quality ball bearing turn-tables is based on this experience.



10

Drawbars and drawbar eyes

Drawbars and towing eyes are available in various models and can be designed to suit the customer's specific needs.



11

Towing hitches

There is a multi-faceted range of products for road traffic available – towing hitches, hook trailer hitches, towing eyes, accessories and special models.



12

VARIOBLOC

VARIOBLOC is a multi-functional alternating system for transporters, cross-country vehicles and busses. Courtesy of a quick-change plate, it enables towing hitches, hitch balls or hook trailer hitches to be changed rapidly.



13

Agricultural hitches

An extraordinarily extensive range of products for agriculture and forestry: Towing hitches, trailer trestles, clutch carriers, towing eyes, drawbars and accessories.

JOST **ROCKINGER** **TRIDEC** **Edbro**

TRIDEC, Transport industry development centre bv, Ekkersrijt 6030, 5692 GA Son – The Netherlands
Tel. +31 499 49 10 50, Fax +31 499 49 10 60, info@tridec.com, www.tridec.com