

DL-S



Dual Lever Suspension



The low maintenance independent suspension for semi-trailers and low loaders



Winning advantages

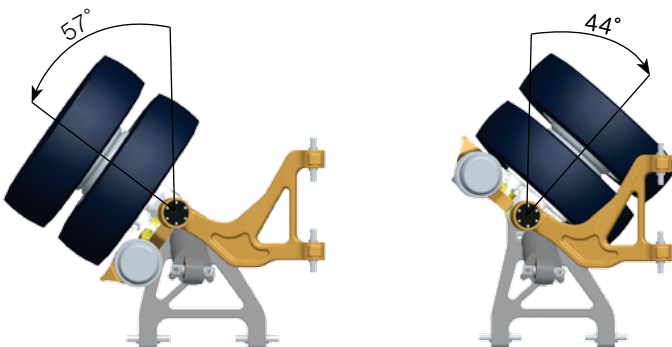
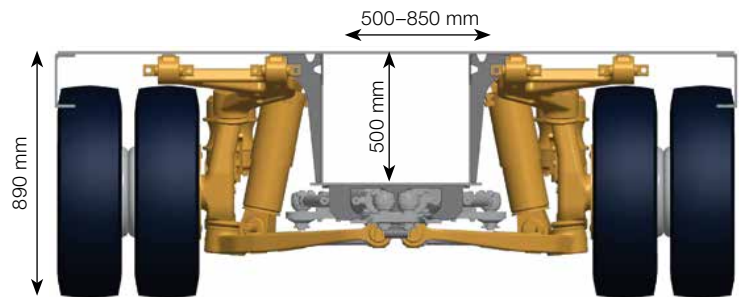
The low maintenance independent suspension for semi-trailers and low loaders

With the DL-S independent suspension from TRIDEC, semi-trailers and low loaders can now be approved with an axle load of 12 tons (certificate of exemption in accordance with §70 StVZO). This allows the workload of the vehicle to be increased considerably. The combination of the DL-S independent suspension and hydraulic steering makes the trailer very agile (up to 57° steering angle), using the smallest possible installation space for the DL-S independent suspension.

The higher permissible axle load also enables the construction of vehicles with fewer axles – this results in advantages for low loaders and extendible vehicles.

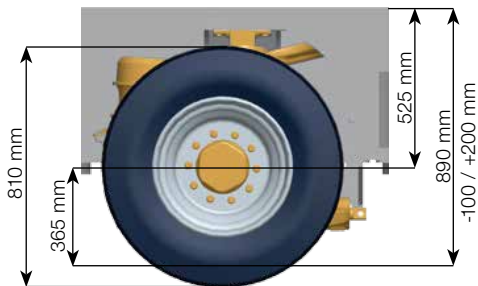
Higher load capacity

- Up to 12 tons axle load per axle line possible
- Very low loading height possible
- The compact construction of the DL-S independent suspension creates additional room for the central frame and enables a lighter construction. The loading capacity per axle is furthermore considerably increased (payload).
- Depending on the desired steering angle, the resulting available width for the central frame lies between 500 mm (57° steering angle) and a maximum of 650 mm at a vehicle width of 2,550 mm. The maximum height for the central frame is 500 mm.



Large steering angle

- By employing an appropriate steering system, a steering angle of 57° can be implemented. Long vehicles in particular will profit from this large steering angle, as it allows them to meet the requirements stipulated in §70 despite their length.

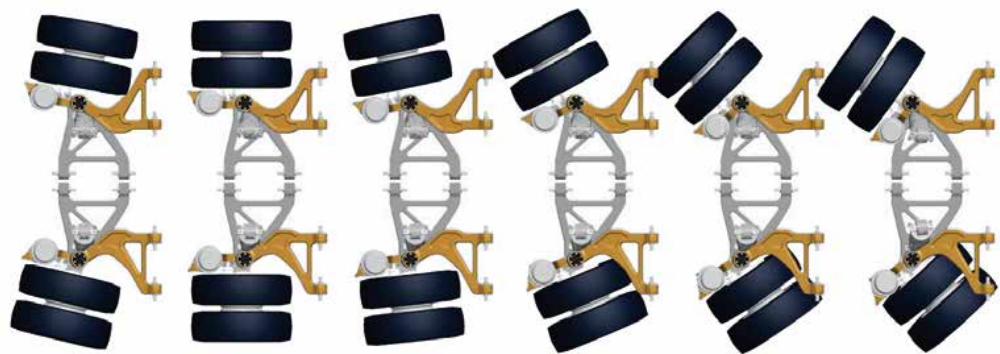


Increased comfort

- Low maintenance thanks to lubricant-free axle pivots
- Large spring travel: spring compression 100 mm, spring extension 200 mm
- High driving and roll stability thanks to the integrated stabilizing system
- Optimal manoeuvrability thanks to the large steering angle (up to 57°)
- Automatic height adjustment
- Very good driving characteristics, even at higher speeds

Noticeable savings

- Higher load capacity
- Lower fuel consumption
- Covered hydraulic cylinder piston rod
- Less tyre wear
- Low maintenance



TRIDEC is an innovative company specialised in the development and manufacture of mechanical and hydraulic steering systems and axle suspension systems for all types of towed vehicles. TRIDEC has been part of JOST-World since 2008.

Winning technology

Innovative, convenient, safe

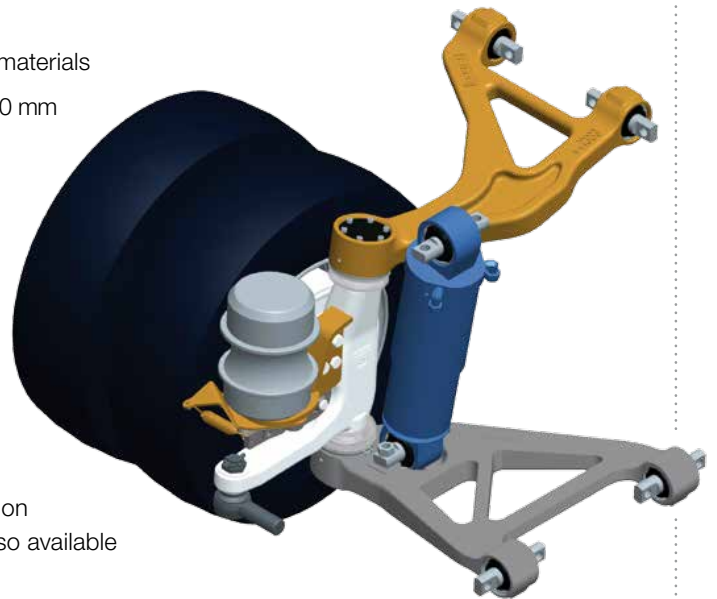
The construction of the DL-S independent suspension is unique and the result of many years of experience in developing axle suspensions. It is based on a wheel support that is passed through two delta connecting rods. The wheel bearing and brake are based on standard components. The bearing of the protected, dual-effect hydraulic cylinder is low maintenance. The entire system is characterised by a high degree of roll stiffness. The dual-effect hydraulic cylinder offers the option of a lift axle.

Simple assembly and maintenance

- Hydraulic cylinder with protective cap against stone chips
- Camber and castor can be adjusted from axle
- Type 30/30 spring load cylinders are possible on all axles
- Parts are delivered pre-assembled
- Low maintenance thanks to the use of premium materials
- Axle with compact bearing and drum brake 300x200 mm
- Rubber-mounted delta connecting rods and cylinders. No noise or tipping

Versatile use

- Axle clearance 1,310 mm or 1,360 mm
- Ideally compatible with TRIDEC steering system
- Optionally with lift axle(s)
- Connection parts for DL-S independent suspension and TRIDEC steering system for vehicle frame also available



Optimally adjustable with TRITRONIC

- Automatic height adjustment
- Spirit level control
- Manual realignment
- Automatic axle alignment
- Nine additional dual-effect hydraulic functions or 18 electrical functions possible (or a combination of both)

JOST **ROCKINGER** **TRIDEC** **Edbro**

TRIDEC, Transport industry development centre bv, Ekkersrijt 6030, 5692 GA Son – The Netherlands
Tel. +31 499 49 10 50, Fax +31 499 49 10 60, info@tridec.com, www.tridec.com