



The 50 mm standard coupling

- Improved handling thanks to a one-piece hand lever, also available as a downward hand lever
- Rotatable bolt – uniform, reduced wear
- Future-proof: prepared for the new sensor technology
- Can be upgraded retroactively with the new generation of various remote controls and remote displays
- Proved and permitted according latest ECE 55-01
- Simplified installation through our new fallback system
- Easier to repair thanks to the improved ROCKINGER component system

Technical data

D Value	Up to 285 kN
V Value	Up to 90 kN
Static load	Up to 2500 kg

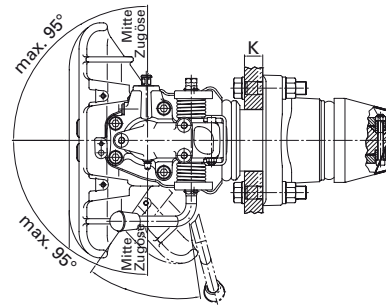
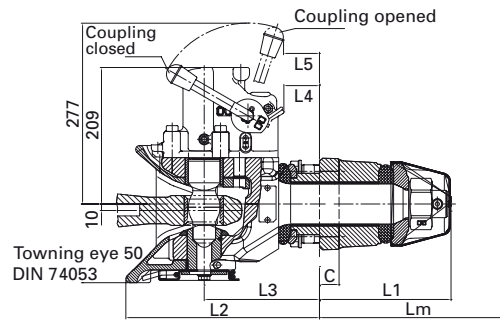
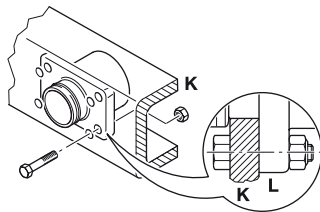
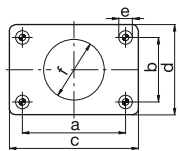
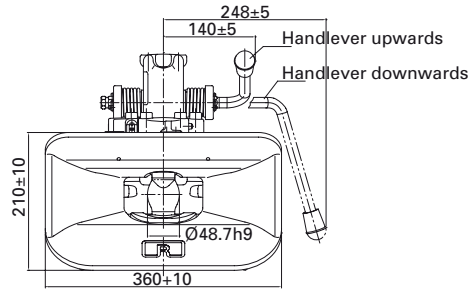


RO★50

Technical specifications

ECE R 55-01 1844

Suitable for towing eye 50 DIN 74053,
94/20/CE, ISO 1102, ROE 57005



	a (mm)	b (mm)	c (mm)	d (mm)	e (mm)	f (mm)
6	160,0	100,0	200,0	140,0	21,0	94,0

	L1 (mm)	L2 (mm)	L3 (mm)	L4 (mm)	L5 (mm)	K (mm)	C (mm)	Lm (mm)
6	202	297	177	54	55	35	30	290

	A	B	(mm)	D (kN)	Dc (kN)	S (kg)	V (kN)	(kg)	ECE					
RO500A66000	A	6	160x100	200	140	1000	90	50	011844					
RO500B66000	B	6	160x100	200	140	1000	90	50,5	011844					
RO500A66200	A	6	160x100	200	140	1000	90	50	011844	x				
RO500A66200	A	6	160x100	200	140	2500	60	50	011844	x				
RO500A66300	A	6	160x100	200	140	1000	90	50	011844	x			x	
RO500A66300	A	6	160x100	200	140	2500	60	50	011844	x			x	
RO500A66400	A	6	160x100	200	140	1000	90	50	011844		x	x		
RO500A66400	A	6	160x100	200	140	2500	60	50	011844		x	x		
RO500A66550	A	6	160x100	200	140	2500	60	50	011844	x		x		
RO500A66550	A	6	160x100	200	140	1000	90	50	011844	x		x		
RO500A66500	A	6	160x100	285	140	2500	60	50	011844					
RO500B66500	B	6	160x100	285	140	1000	90	50,5	011844					

Mechanical remote control

Standard:

ROE 71676

Comfort:

ROE 71599 FA 3

Pneumatic remote control

Comfort:

ROE 71677

Electric remote display

Cabin:

ROE 71654

Rear end:

ROE 71701

Electronic remote display

Cabin:

ROE 71546

Cabin and Drawbar turn
angle warning system:

ROE 71547

Member of **JUST**-World

JUST, Germany Tel. +49 6102 295-0, jost-sales@jost-world.com, www.jost-world.com