



Ball Coupling System 80mm for Car Carrier

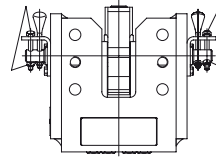
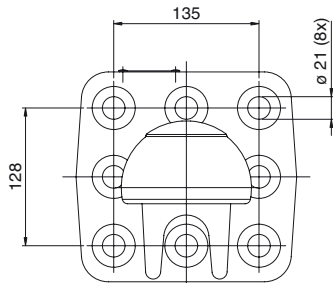
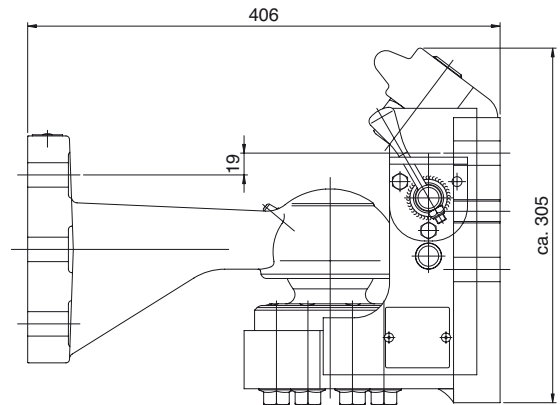
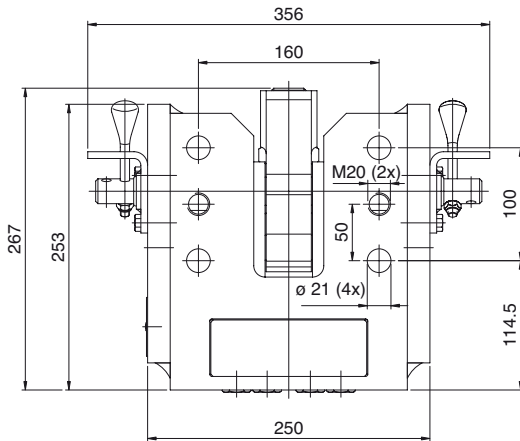
- Easy to exchange (standard oval hole G6), lockable
- Innovative locking system ensures simple and safe operation
- Zero backlash guarantees optimal ride comfort
- Integrated sealing ring provides for a long product life and low wear
- Less wear of the towing eye and ball due to additionally installed lubricant reservoirs



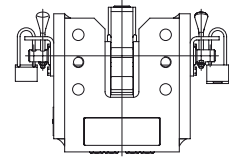
RO★KU 80

Technical Specifications

Ball Coupling System 80 mm



According to ECE55 Class T, the two locking bolts must be fixed with one screw each (B).



According to the EC94/20, in this position both locking bolts can be secured with two U-locks against unauthorized opening.

		 (mm)					 Complete with drawbar eye (kg)	e11	E11
			D (kN)	Dc (kN)	S (kg)	V (kN)			
R0908H61000	6	160x100	140,0	140,0	1000	90	65,4	00-5779	-
R0908H61000	6	160x100	140,0	140,0	2500	75	65,4	00-5779	-
R0908H61000	6	160x100	-	140,0	1000	90	65,4	-	015779
R0908H61000	6	160x100	-	140,0	2500	75	65,4	-	015779

Bolt kit 85 mm

		 (mm)					 Complete with drawbar eye (kg)	e11	E11
			D (kN)	Dc (kN)	S (kg)	V (kN)			
R0908H61500	6	160x100	140,0	140,0	1000	90	65,4	00-5779	-
R0908H61500	6	160x100	140,0	140,0	2500	75	65,4	00-5779	-
R0908H61500	6	160x100	-	140,0	1000	90	65,4	-	015779
R0908H61500	6	160x100	-	140,0	2500	75	65,4	-	015779

Bolt kit 110 mm