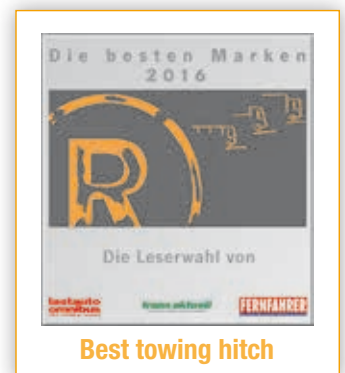




The exclusive 40 mm towing hitch to satisfy all your requirements!

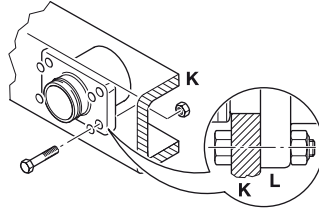
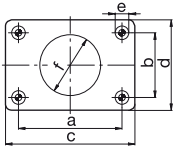
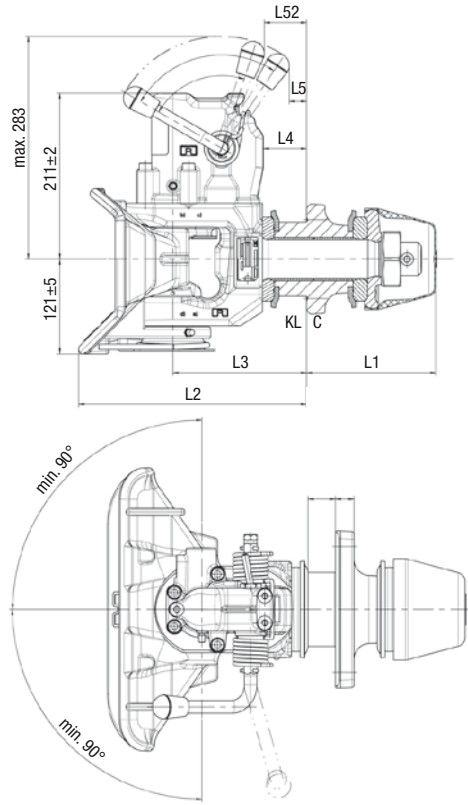
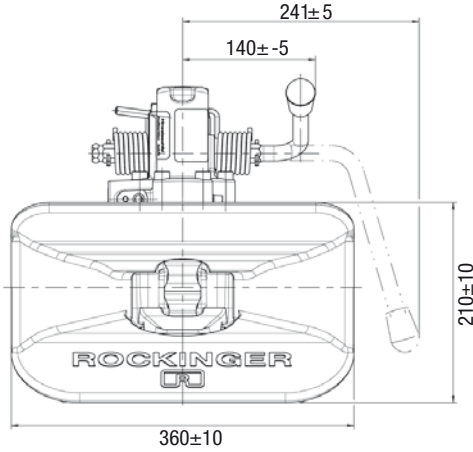
- Proven ROCKINGER release lever technology
- Future-proof: prepared for the new sensor technology
- Safe and exact release lever
- Simple and problem-free hitching and release – even under difficult drawbar eye angles conditions
- Always ready to engage
- Even simpler installation through new fallback system
- Rotatable pin – constant wear
- Upgradable with various remote controls and indicators
- Proved and permitted according latest ECE 55-01
- Practice-oriented load values



RO★40 E

Technical specifications

Fully automatic towing hitch,
Suitable for towing eye 40 DIN 74054
and Class S (EG)



	a (mm)	b (mm)	c (mm)	d (mm)	e (mm)	f (mm)
135	120,0	55,0	155,0	90,0	15,0	74,0
145	140,0	80,0	180,0	120,0	17,0	84,0
150	160,0	100,0	200,0	140,0	21,0	94,0

	L1 (mm)	L2 (mm)	L3 (mm)	L4 (mm)	L5 (mm)	L52 (mm)	K (mm)	C (mm)	Lm (mm)
135	147,0	286,0	166,0	51,0	18,0	51	11,0-32,0	22,0	180,0
145	166,0	290,0	170,0	55,0	22,0	54	11,0-35,0	23,5	230,0
150	166,0	290,0	170,0	55,0	22,0	54	11,0-35,0	23,5	230,0

		(mm)	D (kN)	Dc (kN)	S (kg)	V (kN)	(kg)	ECE		
RO 410A36021	135	120 x 55	70	70	700	24,0	30,0	011602		
RO 410B36021	135	120 x 55	70	70	500	26,4	30,0	011602		
RO 410A46021	145	140 x 80	100	90,5	1000	50,0	33,0	011601		
RO 410B46021	145	140 x 80	100	90,5	1000	50,0	33,0	011601		
RO 410A51021	150	160 x 100	168	90,5	1000	50,0	35,0	011600		
RO 410B51021	150	160 x 100	168	90,5	1000	50,0	35,0	011600		

Mechanical remote control

Standard: **ROE 71676**

Pneumatic remote control

Comfort: **ROE 71459**

Electric remote display

Cabin: **ROE 71654**

Rear end: **ROE 71701**

Electronic remote display

Cabin: **ROE 71546**

Member of **JUST**-World

JUST, Germany Tel. +49 6102 295-0, jost-sales@jost-world.com, www.jost-world.com