

RO★430



40 mm towing hitch Slack-free, with buffers and dampened

- Modular upgrades available
- Available with new 2-sensor remote display
- Future-proof: prepared for the new sensor technology
- Proven security system guarantees optimum force influence
- Easy to repair thanks to the ROCKINGER modular system
- Can be uncoupled in every funnel position

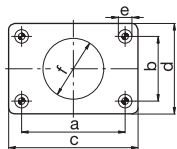
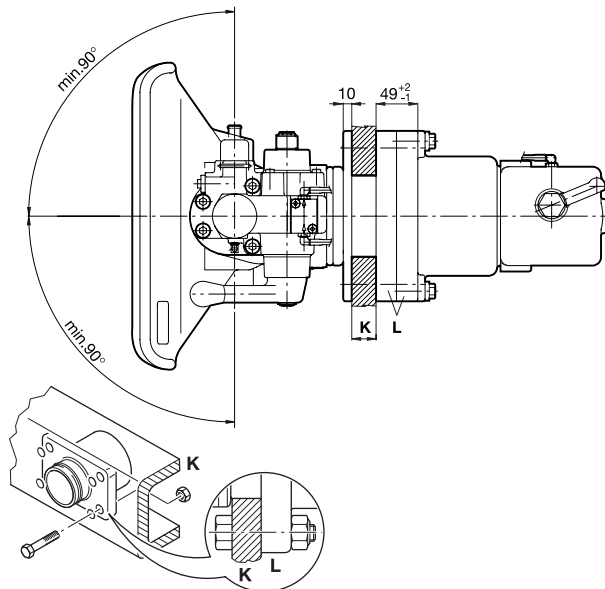
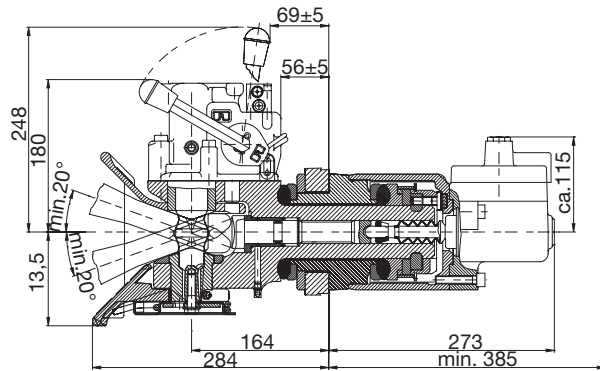
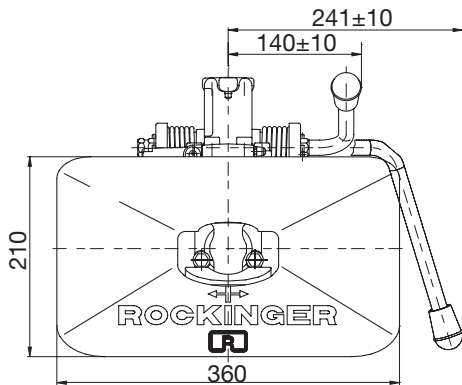
Technical Data

D Value	Up to 130 kN
V value	Up to 36 kN

RO★430

Technical Specifications

Comfort hitch. Slack-free, with buffers, dampened
DIN 74054, ECE R55-01 (Class S)



	a (mm)	b (mm)	c (mm)	d (mm)	e (mm)	f (mm)
145	140,0	80,0	180,0	120,0	17,0	84,0
150	160,0	100,0	200,0	140,0	21,0	94,0

	K (mm)	K (mm)
145	11-28	max. 28
150	11-28	max. 28

Technical Data

		(mm)	D (kN)	Dc (kN)	S (kg)	V (kN)	(kg)	ECE	
RO 430A45002	145	140 x 80	100	91,5	1000	36	51,0	010406	
RO 430B45002	145	140 x 80	100	91,5	1000	36	51,0	010406	
RO 430A50002	150	160 x 100	130	91,5	1000	36	52,0	010405	
RO 430B50002	150	160 x 100	130	91,5	1000	36	52,0	010405	
RO 430A45542	145	140 x 80	100	91,5	1000	36	58,78	010406	X
RO 430A50542	150	160 x 100	130	91,5	1000	36	59,0	010405	X

Member of **JUST**-World

JUST, Germany Tel. +49 6102 295-0, jost-sales@jost-world.com, www.jost-world.com