



## Automatic Towing Hitch Compact, Lightweight, Versatile

- RO★830 with cylindrical coupling pin 30 mm
- RO★838 with ball-shaped coupling pin 38 mm
- Arbitrary replacement of cylindrical coupling pins 30 mm with ball-shaped coupling pins 38 mm
- For tractors with a total weight up to 8.5 t
- Especially lightweight and easy to maintain due to removable automatic coupling
- Coupling mouth and bearing forged
- D-value max. 65.7 kN
- Weight-optimised – weighs max. only 22 kg
- For height adjustments from 309 mm to 336 mm

# RO★830/838

## RO★830

### Technical Specifications

- Automatic towing hitch with lift bearing
- **Cylindrical coupling pin:** ø 30,6 mm
- Ready for mechanical remote control

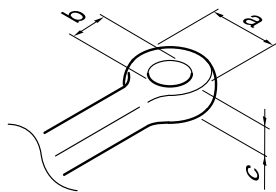
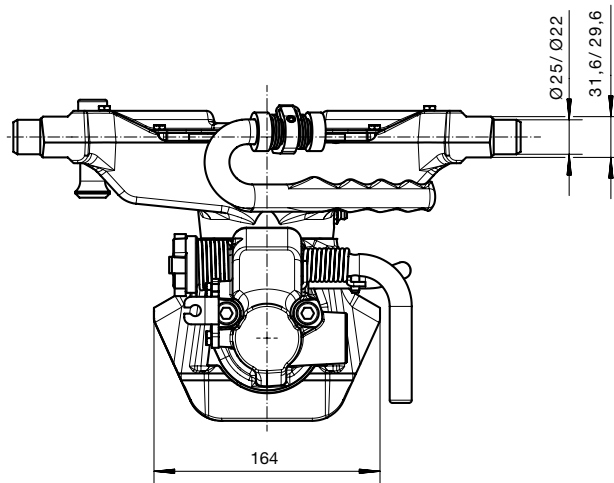
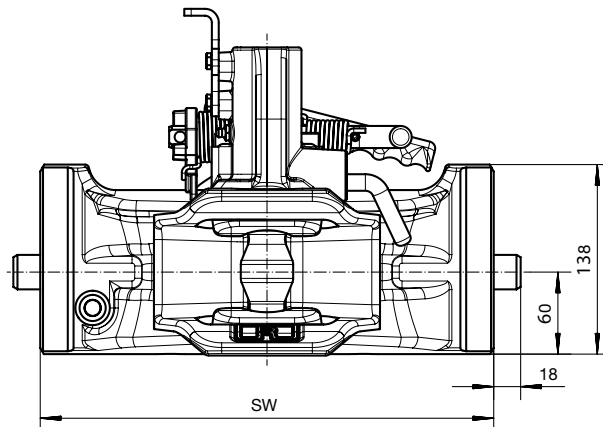
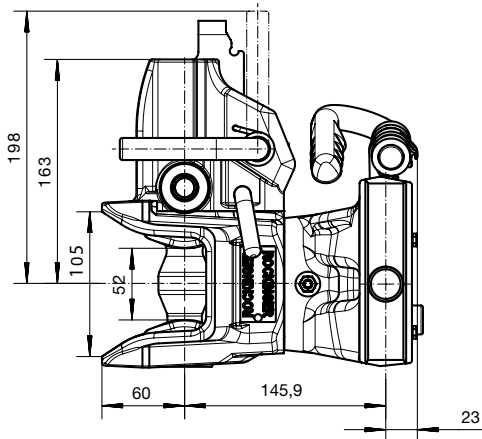
	Track width (Sw) (mm)	S (t)	D (kN)	ABG M	EG e1
830 D1030C	310	2,0	65.7	✓	✓
830 D2330C	323	2,0	65.7	✓	✓
830 D3030C	330	2,0	65.7	✓	✓
830 D3630C	336	2,0	65.7	✓	✓

## RO★838

### Technical Specifications

- Automatic towing hitch with lift bearing
- **Ball-shaped coupling pin:** ø 38 mm
- Ready for mechanical remote control

	Track width (Sw) (mm)	S (t)	D (kN)	ABG M	EG e1
838 D1030C	310	2,0	65.7	✓	✓
838 D2330C	323	2,0	65.7	✓	✓
838 D3030C	330	2,0	65.7	✓	✓
838 D3630C	336	2,0	65.7	✓	✓



### Drawbar eyes

DIN	a (mm)	b (mm)	c (mm)	drawbar turn angle	
				horizontal	vertical
11026	100	40	42	min. 72°	min. 20°
11043	100	40	32	min. 76°	min. 22°
74054	100	40	30,5	min. 76°	min. 20°

More information regarding our range of products can be found [www.jost-world.com](http://www.jost-world.com)

**JUST** **ROCKINGER** **TRIDEC** **Edbro**

Phone +49 6102 295-0, Fax +49 6102 295-298  
[rockinger-agri@jost-world.com](mailto:rockinger-agri@jost-world.com), [www.jost-world.com](http://www.jost-world.com)