

**NEW**

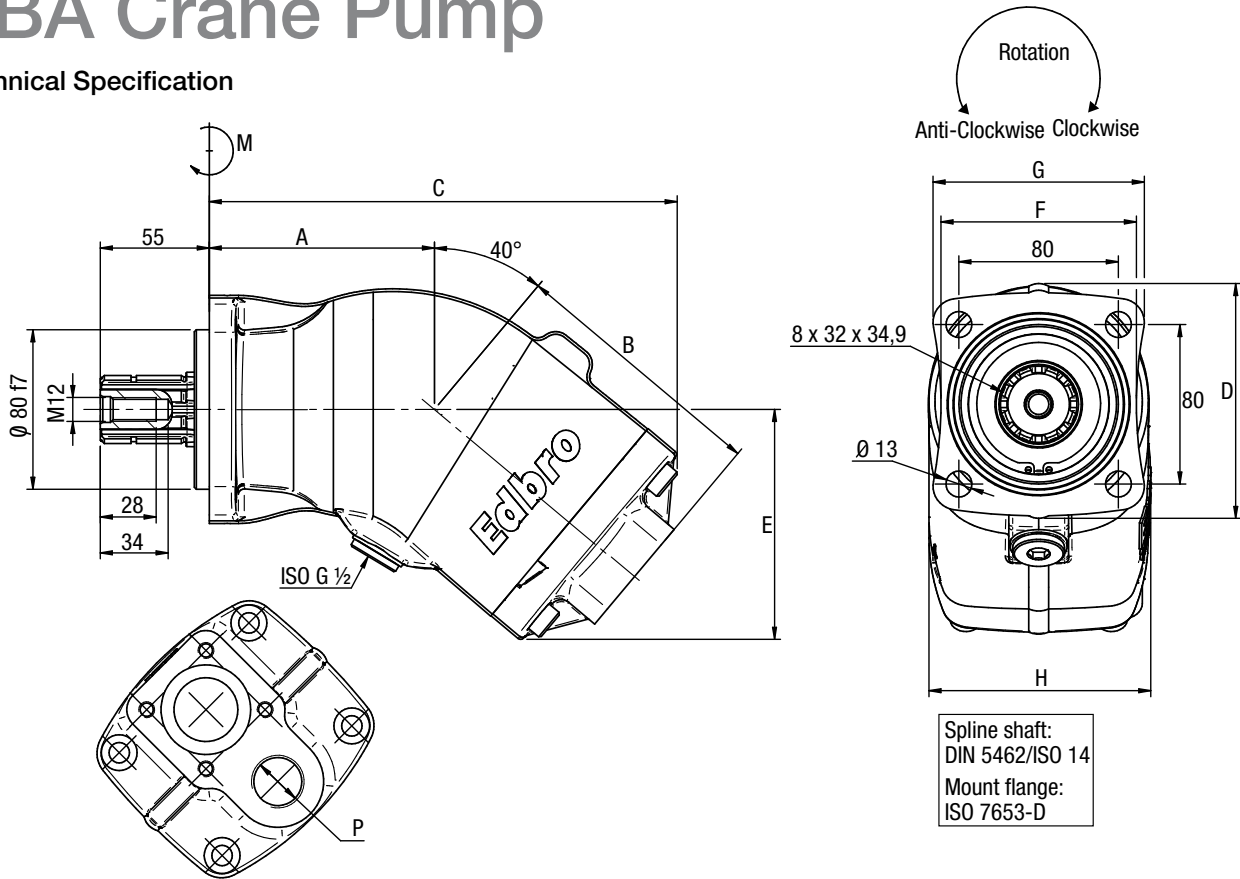


## Reliable Compact Designed Pump

- 12 to 108 cm<sup>3</sup> / rev displacement
- High pressure (400 bar mwp)
- Compact size for easy installation
- Now with one piece lightweight aluminium casings
- Ideal for close coupled PTO mounting
- Reversible rotation whilst installed
- 4 - Hole ISO7653 Mounting Flange

# EBA Crane Pump

## Technical Specification



**Part Code:**  
EBA /xxx/41/#

xxx - Choose from below (Pump Flow)

			012	017	025	034	040	047	056	064	084	108
Theoretical oil flow l/min at pump speed	rpm	500	6.3	8.5	12.7	17.1	20.6	23.5	28.0	31.8	41.5	54.0
		1000	12.6	17.0	25.4	34.2	41.2	47.1	56.0	63.6	83.6	108.0
		1500	18.9	25.5	38.1	51.3	61.8	70.6	84.0	95.4	125.4	162.0
Displacement	cm <sup>3</sup> /rev		12.6	17.0	25.4	34.2	41.2	47.1	56.0	63.6	83.6	108.0
<b>Max pump speed</b>												
continuous	rpm		2300	2300	2300	2300	1900	1900	1900	1900	1600	1600
limited			3000	3000	3000	3000	2500	2500	2500	2500	2100	2100
Max working pressure	bar		400	400	400	400	400	400	400	400	400	400
Weight	kg		6.9	6.9	7.1	7.1	9.8	9.8	9.8	9.8	13.9	13.9
Dimensions	mm	A	97	97	97	97	113	113	113	113	122	122
		B	116	116	116	116	131	131	131	131	147	147
		C	206	206	206	206	235	235	235	235	264	264
		D	115	115	115	115	118	118	118	118	127	127
		E	102	102	102	102	115	115	115	115	133	133
		F	98	98	98	98	98	98	98	98	98	98
		G	106	106	106	106	106	106	106	106	106	106
		H	97	97	97	97	111	111	111	111	111	118
	ISO G	P	3/4	3/4	3/4	3/4	3/4	3/4	3/4	3/4	1	1
Self-weight moment (M)	Nm		6.0	6.0	6.5	6.5	11.5	11.5	11.5	11.5	18.0	18.0

xxx - Pump Flow cc/rev

41 - 400 bar

# - Direction of Rotation - Part codes ending in (C) will refer to Clockwise rotation, (A) will refer to Anti-clockwise rotation.

For installation and oil recommendations please refer to the General Instructions document - Ref PC-002

Member of **JOST**-World

JOST, Germany Tel. +49 6102 295-0, jost-sales@jost-world.com, www.jost-world.com

Edbro, UK, Tel. +44 1204 528888, sales-uk@jost-world.com, www.edbro.com