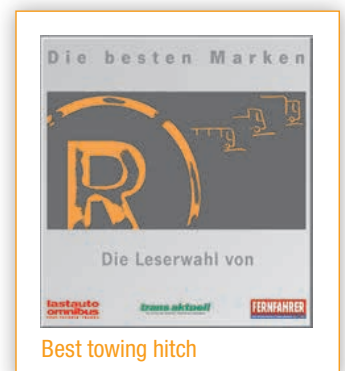




68 mm towing hitch for BNA ring towing eyes

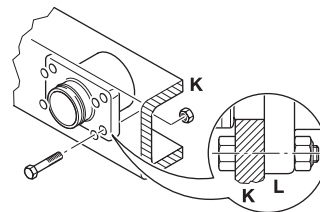
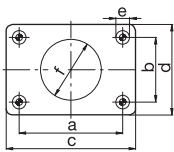
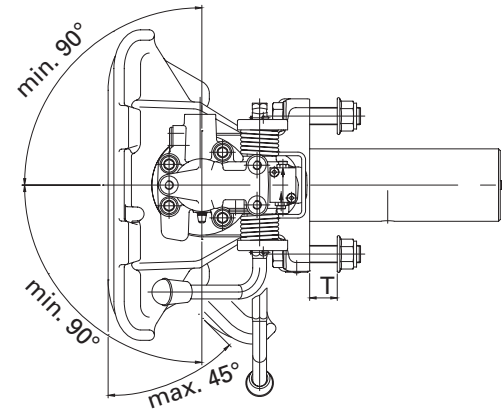
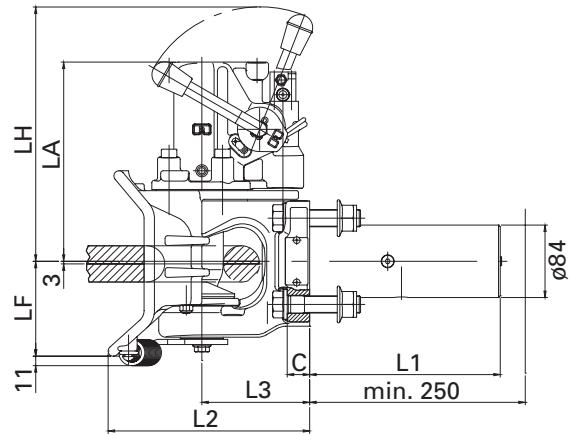
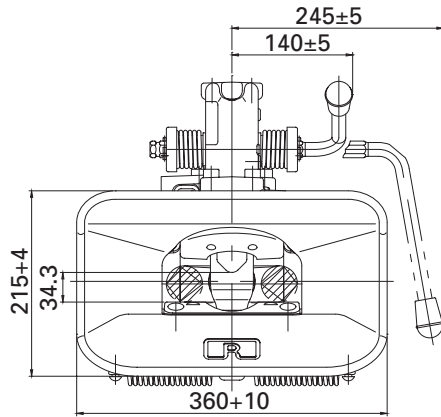
- Proved and permitted according latest ECE 55-01
- Particularly suited to heavy demands – D value up to 200 kN and V value up to 75 kN
- Simple mounting, including hydraulic unit, without the need for prior dismantling
- Easy coupling and uncoupling using the funnel/pin system
- Easy to repair thanks to the ROCKINGER modular system
- Reduced and uniform wear due to rotating pin
- Also available with new 2-sensor remote display ex-works or as an upgrade kit
- Also available with pneumatic remote control ex-works or as an upgrade kit
- Reduced in weight



RO★50 BNA

Technical Specification

68 mm towing hitch ECE R 55-01,
E1 011614



	a (mm)	b (mm)	c (mm)	d (mm)	e (mm)	f (mm)
U6	160,0	100,0	200,0	140,0	21,0	94,0

	LH (mm)	LA (mm)	LF (mm)	L1 (mm)	L2 (mm)	L3 (mm)	C (mm)	T (mm)
U6	295,0	231,0	110,0	234,0	234,0	125,0	26,0	32,0

C D	A B	D E	D (kN)	Dc (kN)	S (kg)	V (kN)	(kg)	ECE	ECE R 55-01	ECE R 55-02
RO 590A61001	U6	160x100	200				40	011614		
RO 590A61001	U6	160x100	200	140	1000	75	40	011614		
RO 590B61001	U6	160x100	200				40,5	011614		
RO 590B61001	U6	160x100	200	140	2500	50	40,5	011614		
RO 590A61401	U6	160x100	200				53	011614	X	X
RO 590A61401	U6	160x100	200	150	1000	50	53	011614	X	X
RO 590A61511	U6	160x100	200				52	011614	X	X
RO 590A61511	U6	160x100	200				52	011614	X	X

Member of **JUST**-World

JUST, Germany Tel. +49 6102 295-0, jost-sales@jost-world.com, www.jost-world.com