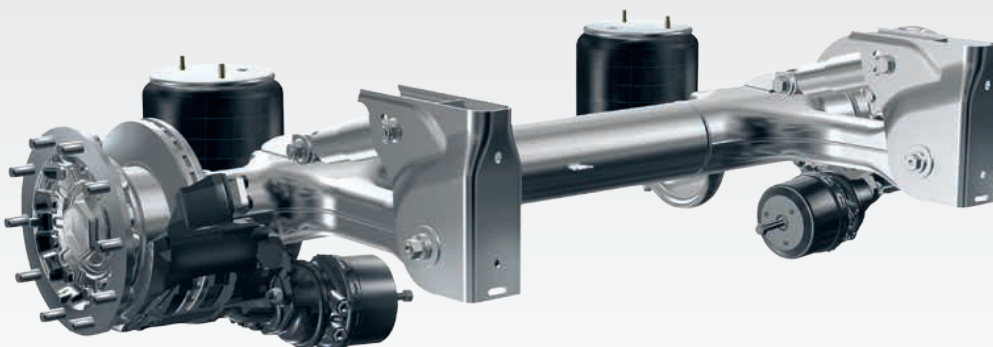


JOST Original Axle Parts



JOST original spare parts for your
Mercedes-Benz and JOST trailer axles



Safe and easy from JOST

Original spare parts for your trailer axles

In January 2015, JOST has taken over Mercedes Benz TrailerAxleSystems. This made JOST one of the leading manufacturers of trailer axles in Europe. Since then, the former Daimler Mercedes-Benz TrailerAxleSystems segment has been part of a dynamically growing system supplier for the utility vehicle industry with excellent global positioning.

Spare parts in series production quality

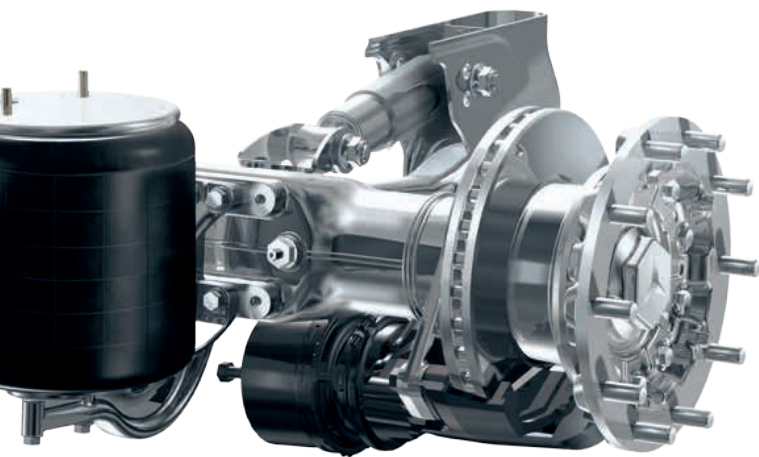
The merger offers numerous benefits for our customers. The dependable and quick supply of original spare parts through the JOST distribution network is one of them.

JOST is assuming the responsibility for providing original spare parts for all trailer axles from Mercedes-Benz. This means: Original spare parts from JOST as a manufacturer of the DCA axle series in the proven series production quality. Only JOST original spare parts guarantee the safety, high performance and longevity of your axles.

Repair kits – simply practical

JOST offers various wear parts as repair sets to make the provision of original spare parts easier. As a customer, you benefit from our knowledge as the market leader for truck and trailer components: Practical sets and user friendly assembly instructions. For example, parts that are needed to renew the brakes or chassis connection can be ordered as a set with only one order number.

Just like other original parts from JOST, spare parts for trailer axles are delivered to you in the distinctive packaging with the tamper-proof hologram: This is the only way to rest assured that your repair was truly performed with JOST quality!



Original JOST spare parts. Manufactured to the same proven quality standards as the DCA axle serial production. Only JOST original spare parts guarantee the safety, high performance and longevity of your axle.

Only Originals
are safe!

Low life cycle costs thanks to unmatched quality

Wheel hub

- Compact bearing hub assembly with maintenance free bearing and extended lifetime
- No need for re-adjustment
- Safety relevant component: only directly from the manufacturer, JOST Axle Systems

3D bushing

- For optimized driving comfort and long life

Shock absorber

- Specifically designed for DCA axle systems to assure optimized driving comfort and long performance

Air bellow

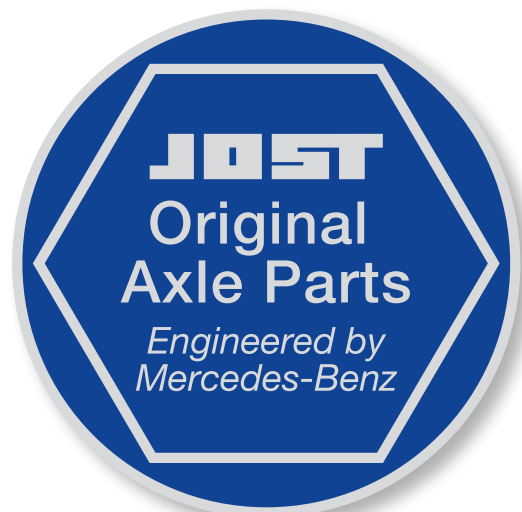
- Superior ride quality is achieved by an optimum adaption to JOST chassis
- Also available with integrated air inlet

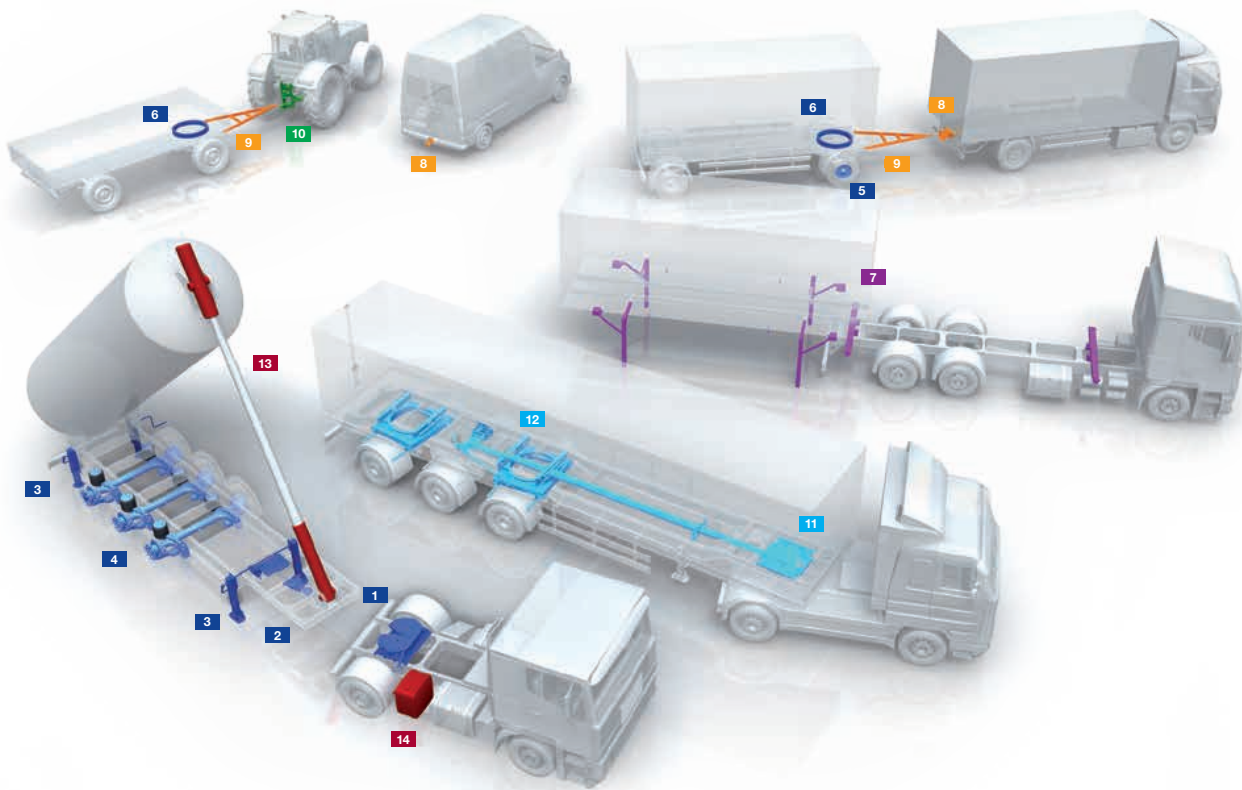
Brake discs and pads

- JOST original spare parts guarantee consistent brake performance for the whole product life by optimizing the compatibility of the brake pads and disc
- Safety through optimum geometry and materials selection ensures the highest resistance to the development of thermal fatigue cracking in extreme conditions
- Consistent superior performance, with extended life components reduce whole life vehicle running costs
- Effective temperature management of the brake disc and surrounding components is achieved through the design of optimum cooling channels. This contributes the long life cycle of the brake pad, disc and surrounding mechanisms, in the brake caliper and hub
- Unchanged design since 1997



Like all of the JOST spareparts all JOST Axle Spare parts will be delivered in the unmistakable packaging with counterfeit-proof hologram. This ensures that you are really receiving JOST quality!





JOST



- 1 Fifth wheel couplings and systems**
2" and 3 1/2" fifth wheel couplings in a variety of construction heights, bearing types and versions, mounting plates, sliders and dual-height fifth wheel systems; sensor-controlled systems for the coupling procedure between truck and trailer



- 2 King pins**
2" and 3 1/2" king pins with a conical or plate-shaped flange



- 3 Landing gears**
Landing gears with variable bolting heights, crank handles, connection shaft-lengths and foot types, special landing gears for special applications



- 4 Axle systems**
Wide range of weight-saving trailer axles with additional special equipment



- 5 Hubodometers**
Used to calculate distance driven, independent of the truck



- 6 Ball bearing turntables**
Ball bearing turntables and slewing rings in a wide range of sizes and versions



- 7 Container technology**
Components for intermodal transports, supports, twist locks and bolsters, swap body lifting devices, guide roller bearings and bearings

ROCKINGER



- 8 Road traffic**
Open-end, hook and ball towing hitches, suspension elements, VARIOBLOCK alternating system and special models



- 9 Drawbars and towing eyes**
Drawbars and towing eyes as well as custom-made products for on and off-road usage



- 10 Agriculture**
Open-end, hook and ball towing hitches, height adjustable brackets and clutch carriers for agriculture and forestry

TRIDEC



- 11 Steering systems**
Axel-independent or manufacturer-independent mechanically, hydraulic and electronically controlled steering systems for trailers



- 12 Axle suspensions**
Air suspension or hydraulically suspended axle suspensions for on and off-road usage

Edbro



- 13 Vehicle-mounted hydraulic systems**
Front end, underbody and tipping ejector cylinders for trucks and trailers/trailer tipper



- 14 Customer-specific hydraulic component kits**
Hydraulic component kits for various applications, chassis-specific hydraulic container component kits

Member of **JOST**-World

JOST, Germany Tel. +49 6102 295-0, jost-sales@jost-world.com, www.jost-world.com

JOST Achsen Systeme, Germany Tel. +49 5674 9237-0, sales.achsen@jost-world.com, www.jost-axle-systems.com