

Towing hitches

Service notes



Checking of the various wear points

Model

Standard 40 and 50 mm

Check point no.     

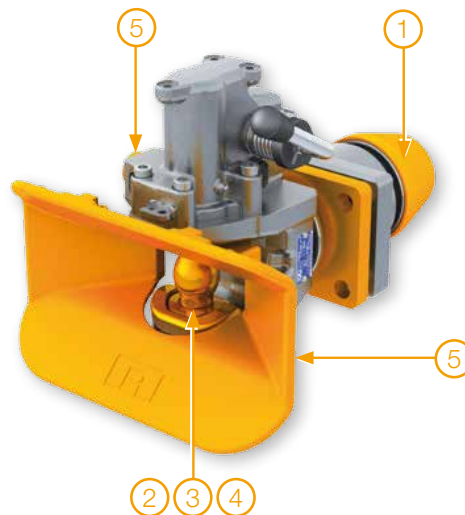
Maintenance interval

Two times a year or every 50,000 km

For special operating conditions, please refer to our mounting and operating instructions



Mounting and operating instructions and repair instructions are also available online at www.jost-world.com



Inspection of towing hitches in five steps

Step ①

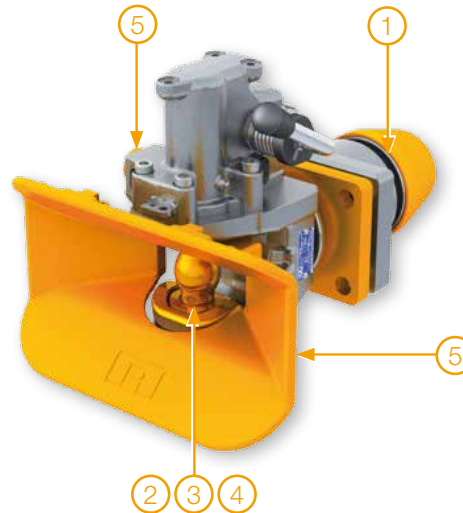
- End clearance: attachment bearing 0.0 mm
- Height clearance: attachment bearing max. 3.0 mm in the coupling pin area

Step ② ③ ④


- Coupling pin
- Support ring
- Lower bush
- Checking of the height clearance of the coupling bin bearing, max. 2.0 mm
- Clean lower bush

Step ⑤

- Checking of funnel for damage and functionality
- Checking of the lubrication of the lower bearing
- Check functionality of the towing hitch
- Checking of locking pins



Spare parts kits for towing hitches

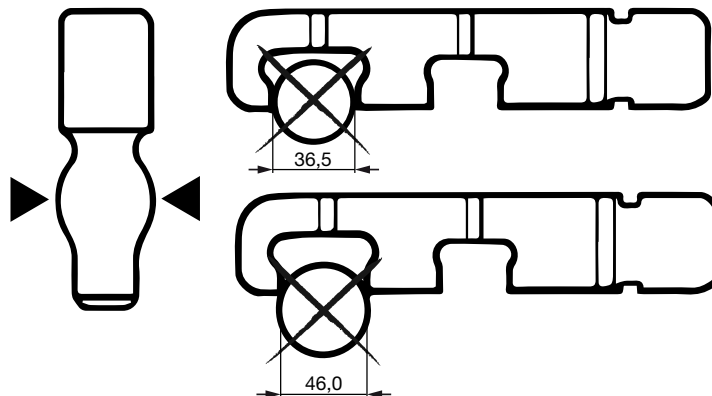
Towing hitch	Hand lever	Name	Order number
			
RO*400		Repair kit	ROE 71728
RO*400-1		Funnel	ROE 46109
RO*400-1	A	Automatic unit	ROE 71448
RO*400-1	B	Automatic unit	ROE 71448
RO*40 E	A	Automatic unit	ROE 71330
RO*40 E	B	Automatic unit	ROE 71330
RO*40 E		Funnel	ROE 46128
RO*50		Set of wear parts	ROE 71805
RO*50		Funnel	ROE 46145
RO*50	A	Automatic unit	ROE 71442
RO*50	B	Automatic unit	ROE 71442
RO*50 E	A	Automatic unit	ROE 71504
RO*50 E	B	Automatic unit	ROE 71504
RO*50 E		Set of wear parts	ROE 71809
RO*50 E		Funnel	ROE 46146



Wear limit gauge for towing hitches

Wear control

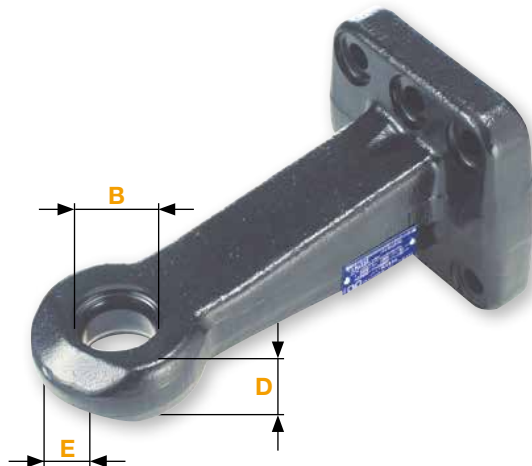
- Coupling pin



Products/wear limits	40 mm	50 mm
Wear limit gauge for coupling pins	ROE 57026	ROE 57122
Wear limit gauge for lower bush	ROE 57290	ROE 57334
Pin wear limit new/worn	38,5 mm/36,5 mm	48,5 mm/46,0 mm
Lower bush wear limit worn	31,5 mm	35,9 mm



Drawbar eye



DIN	B (mm)	D (mm)	E (mm)*	Wear limit gauge
74053 – 50 mm	52,5	41,5	23,5	ROE 57122
74054 – 40 mm	41,5	28,0	22,0	ROE 57026

* Measuring without bush

The wear limit gauge must be fully inserted into the bush.

The mounting and operating instructions must be observed



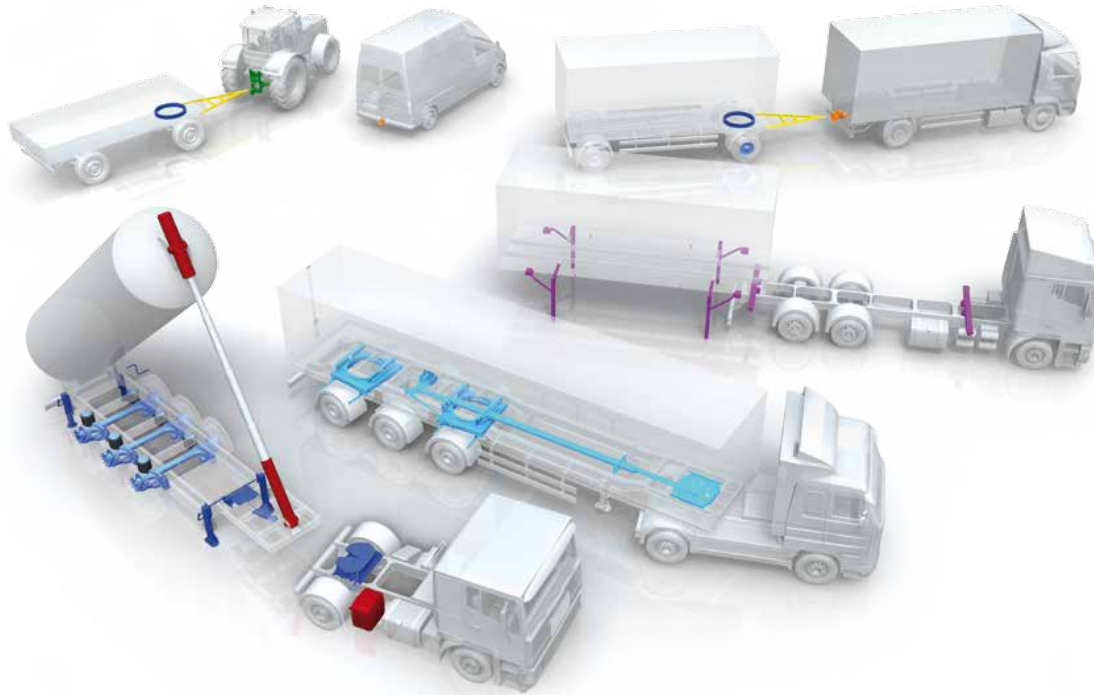
JOST



ROCKINGER



Edbro



Member of **JOST**-World

JOST, Germany Tel. +49 6102 295-0, tkd-technik@jost-world.com, www.jost-world.com