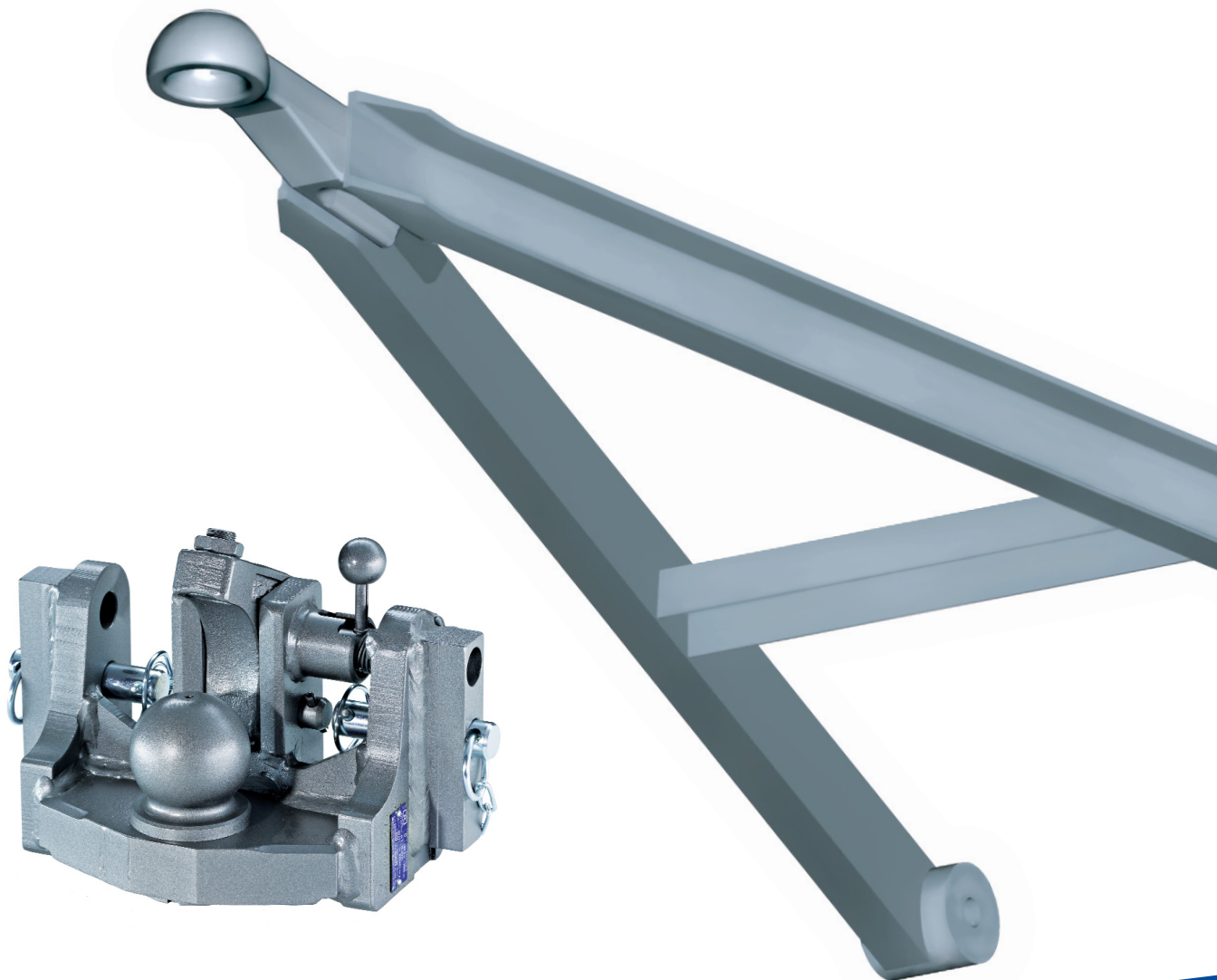


Drawbar Type GNZ



www.jost-world.com

Drawbar Type GNZ with coupling head for KS*80 ball couplings

- Zero backlash guarantees optimal driving comfort, especially for vehicles faster than 40 km/h
- Robust and simple construction
- little wearout and long lifetime
- Easy connecting and disconnecting outside
- Large vertical and axial pivoting angle is possible
- can be retrofitted easily

JOST

Drawbar Type GNZ

Technical Specifications

Regensburger drawbar type GNZ with coupling head for KS*80 (Ø 80 mm) ball couplings

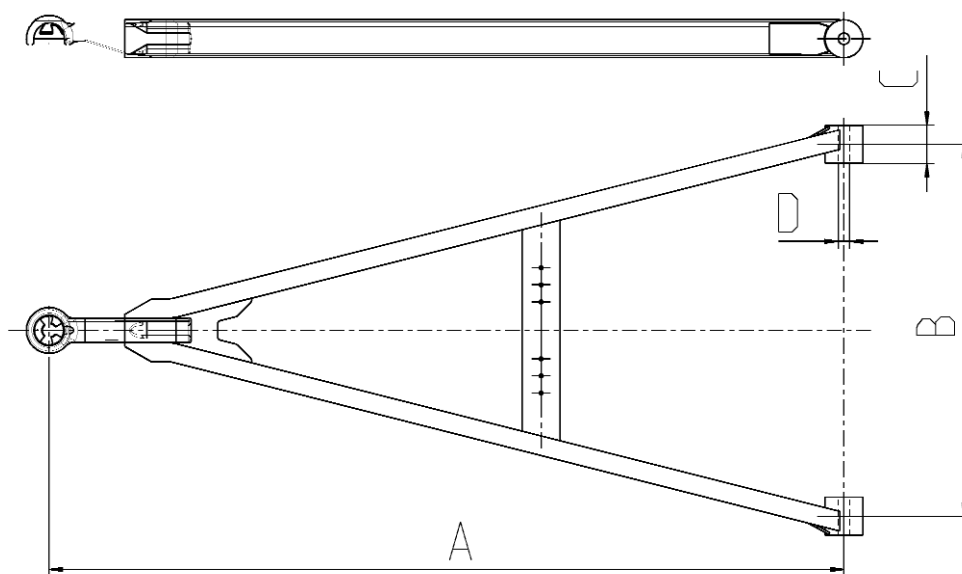
D-Value = 125 kN


Max Auth. Mass trailer = 27 t

Allowable load per front axle = 12 t

Design certification: In individual cases according to §22a (4) StVZO¹

¹ (Road traffic regulation law for Germany)



Typ	 D-Wert (kN)	A	B	C	D	UN-Profil
GNZ 27	125	1000-2800	200-1400	60-130	24-50	U 80
GNZ 40	125	1000-3500	200-1500	70-130	24-50	U 100

More information regarding our range of products can be found at www.jost-world.com

JOST

ROCKINGER

REGENSBURGER ZUGGABEL