

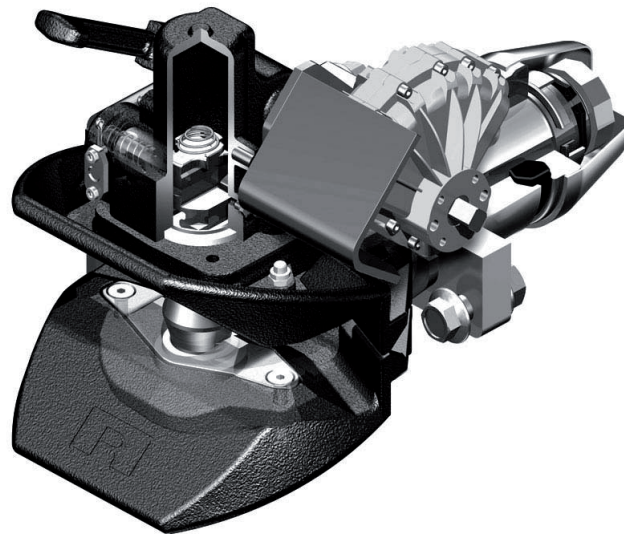
RO★57



Reparaturanleitung | Repair instructions | Reparationsvejledning | Reparationsanvisning | Руководство по монтажу

ROE50257

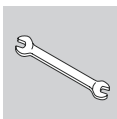
- Ⓓ Handhebel
- ⒼⒷ Hand lever
- ⒹⓀ Håndtag
- Ⓐ Handtag
- ⒶⓈ Рукоятка



Hand lever

Requirements

- Machine is depressurized (only in coupling with pneumatic remote control)

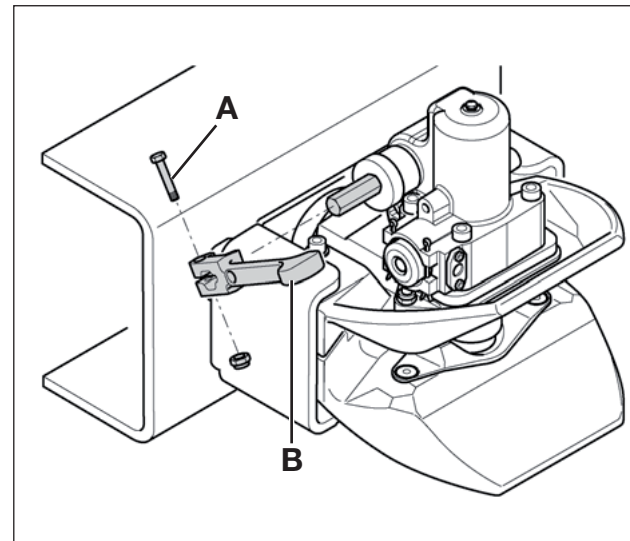


TOOLS:

- Torque wrench
- Socket wrench SW 13
- Open-end wrench SW 13

Disassembly

- Remove screw [1A]
- Remove the lever from the hexagonal shaft [1B]



- [1] **A** Adjusting screw
B Hand lever

Installation

Installation is in opposite order. During this process, please do the following:

- Check for the correct installation position of the lever:
- When the coupling is closed, the lever points approx. 45° upward



TIGHTENING TORQUES:

- Screw [1A] M8–8.8: 25 Nm



Technische Änderungen vorbehalten.
Aktuelle Informationen finden Sie unter:
www.jost-world.com

Technical modifications reserved.
For up-to-date information, please visit:
www.jost-world.com

Tekniske endringer kan forekomme!
Før senest information, se:
www.jost-word.com

Förbehåll för tekniska ändringar!
För senaste information, se:
www.jost-world.com

Мы сохраняем за собой право вносить
технические изменения. Актуальную
информацию смотрите по адресу:
www.jost-world.com

JOST-Werke
Siemensstr. 2
D-63263 Neu-Isenburg
Telefon +49(0)61 02295- 0
Fax +49(0)61 02295-298
www.jost-world.com