

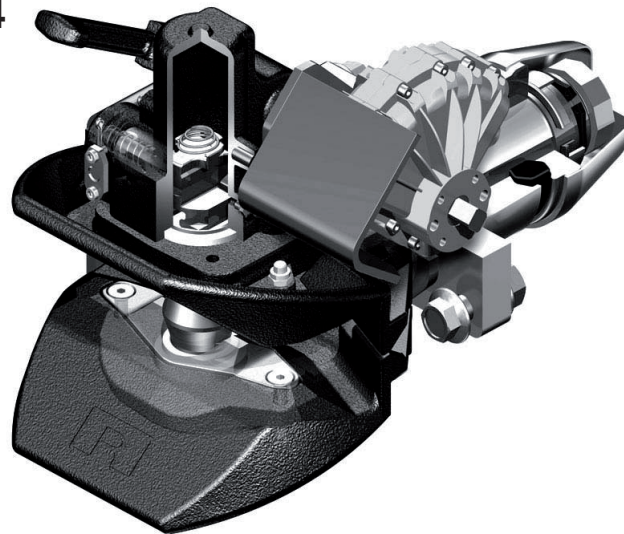
RO★57



Reparaturanleitung | Repair instructions | Reparationsvejledning | Reparationsanvisning | Руководство по монтажу

ROE71161/71162, ROE71154

- ⓓ Fangmaul, Auflagen
- ⓖⓑ Funnel, Supports
- ⓓⓀ Fanggab, Underlag
- Ⓢ Fångmun, Slitklack
- ⓇⓊⓈ Ловитель, опорное кольцо



	Inhalt	Contents	Inhold	Innehållsförteckning	Содержание	RO*57
--	--------	----------	--------	----------------------	------------	-------

D	Allgemeines	3	S	Allmänt	33
	Voraussetzungen	5		Förutsättningar	35
	Fangmaul	7		Fångmun	37
	Auflagen	11		Slitklack	41
GB	General	13	RUS	Общие положения	43
	Requirements	15		Предпосылки	45
	Funnel	17		Ловитель	47
	Supports	21		опоры	51
DK	Generelt	23			
	Forudsætninger	25			
	Fanggab	27			
	Underlag	31			

Liability

ROCKINGER assumes no guarantee for the completeness and correctness of the information. The contents of the instructions cannot be used to substantiate any claims. In particular, no liability is assumed for damages which are the result of incorrect repair or maintenance work.

Copyright

All the rights to these instructions and their annexes remain with ROCKINGER.

Emphasis in the text

Explanation of symbols

For ease of readability and to provide a clear overview, different types of information are marked in different ways.

Sentences introduced with an arrow contain instructions to perform certain actions:

- Carry out instructions one after the other in the sequence described.

The following information is introduced by a dash:

- Lists
- Preconditions for actions to be executed subsequently
- Descriptions of previous work steps
- Descriptions of statuses

Warnings of hazards and risks

Important passages which must be observed, are especially emphasised:



DANGER!

Warns against immediate dangers which could lead to serious injury or death.

- Provides instructions for defence against or avoidance of dangers.

**WARNING!**

Warns against risks which could lead to serious injury or death.

- Demands safety measures to protect the persons concerned

**CAUTION!**

Warns against risks which could lead to damage to property or personal injury (light injury).

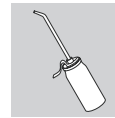
- Provides information for prevention of damage

Illustrations

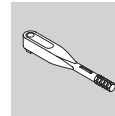
As necessary, texts are illustrated by pictures. The reference to a figure is made with a number in [square brackets]. Capital letters after a figure number, e.g. [12A] refer to the corresponding position in the picture.

Binding information**LUBRICANTS:**

- Lubricant for the previously described activity

**TIGHTENING TORQUES:**

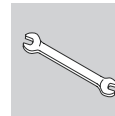
- Tightening torques for the listed bolted connections

**Supplementary information**

The information symbol refers to instructions and recommendations as well as additional information.

**TOOLS:**

- List of the tools necessary for the subsequently described activities.



Requirements

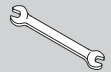
- Machine is depressurized (only in coupling with pneumatic remote control)
- Coupling opened



WARNING!

Danger of injury due to automatically closing coupling pin!

- Do not come in contact with the coupling pin when the coupling is open



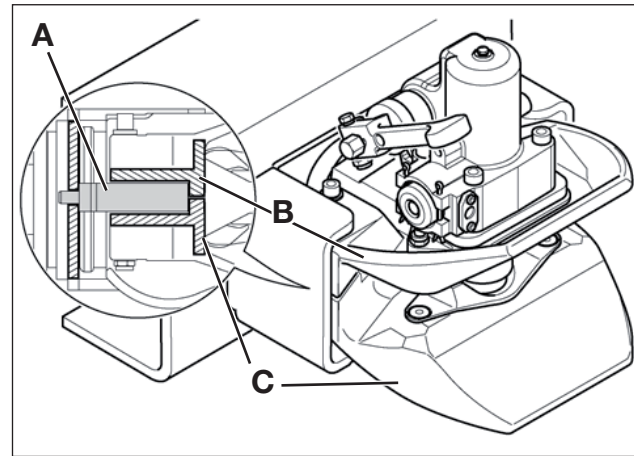
TOOLS:

- Torque wrench
- Hexagon socket screwdriver 6
- Open-end wrench SW 17



The force of the initial tension stress originates [1A] from the separators and acts against the upper and lower funnel. If both funnels are removed, the separators are released. When installing the funnels, the separators must be pushed together with the expenditure of force. If only one funnel is removed, the separators remain pre-tensioned through the other funnel.

- If at all possible, do not disassemble both funnels at the same time
- First disassemble the upper funnel and pre-mount again. Then disassemble the lower funnel and install again



- [1] A Separators
B Upper funnel
C Lower funnel

Funnel

Funnel – upper

Disassembly

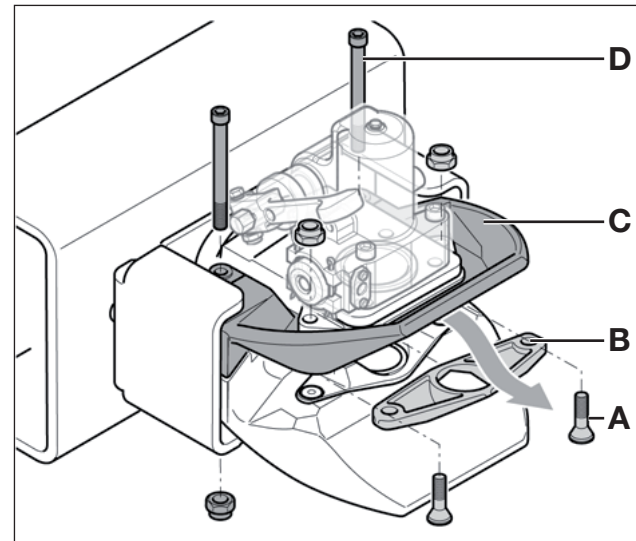
- Remove 2 fastening screws [2A] on the top support [2B]
- Remove support

Coupling without pneumatic remote control [2]:

- Remove lower fastening screws [2D]
- Remove funnel [2C]

Coupling without pneumatic remote control [3]:

- Remove fastening screw [3A] to partturn actuator
- Remove spacing bushing [3B]
- Remove fastening screw [3C] on funnel
- Remove funnel [3D]



- [2] **A** Fastening screw for support on funnel
B Upper Support
C Upper funnel
D Rear fastening screw on funnel

Installation

- Insert funnel
- Loosely pre-mount rear fastening screws [2D]
- Install support [2B]

If the lower funnel is then disassembled:

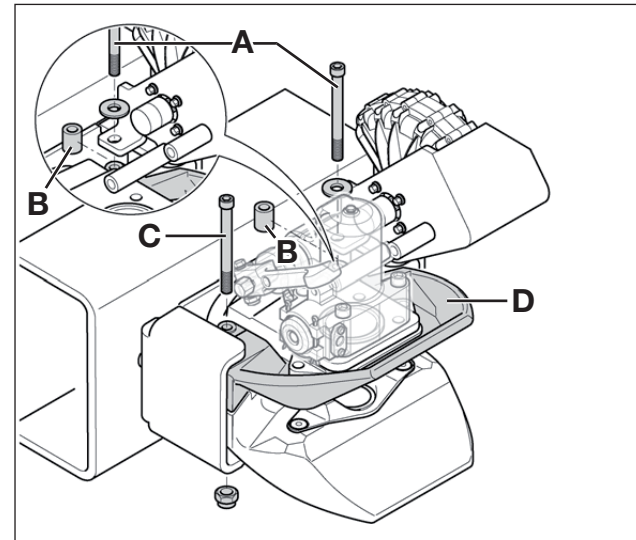
- Remove rear fastening screws again [2D]

If the rear funnel is not disassembled:

- Tighten rear fastening screws [2D]

TIGHTENING TORQUES:

- Support on funnel [2A]: .. 45 + 10 Nm
- Rear attachment funnel [2D]: 45 + 10 Nm



- [3] **A** Fastening screw for part-turn actuator on funnel
B Spacing bushing
C Rear fastening screw on funnel
D Upper funnel

Funnel lower

Disassembly

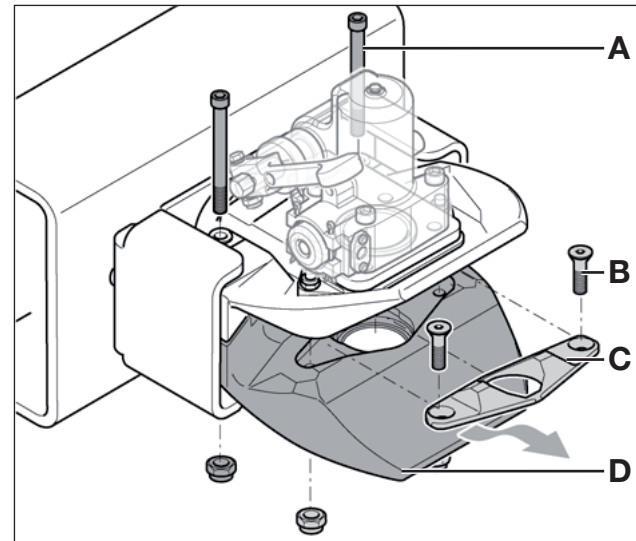
- Remove 2 fastening screws [4A] on the lower support [4C]
- Remove support

Coupling without pneumatic remote control [4]:

- Remove lower fastening screws [4A]
- Remove funnel [4D]

Coupling without pneumatic remote control [5]:

- Remove fastening screw [5A] to partturn actuator
- Remove spacing bushing [5B]
- Remove fastening screw [5C] on funnel
- Remove funnel [5D]



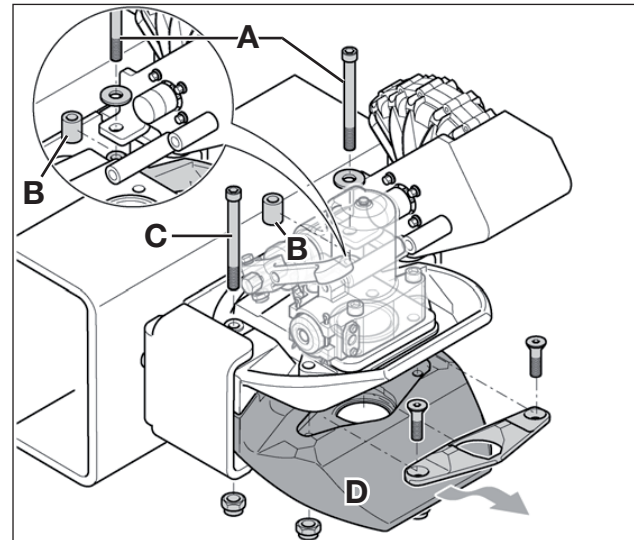
- [4] **A** Rear fastening screw on funnel
B Fastening screw for support on funnel
C Lower support
D Lower funnel

Installation

- Insert funnel
- Loosely pre-mount back fastening screws [4A]
- Install support [4C]
- Tighten rear fastening screws [4A]

TIGHTENING TORQUES:

- Support on funnel [4B]: . . . 45 + 10 Nm
- Rear attachment funnel [4A]: 45 + 10 Nm

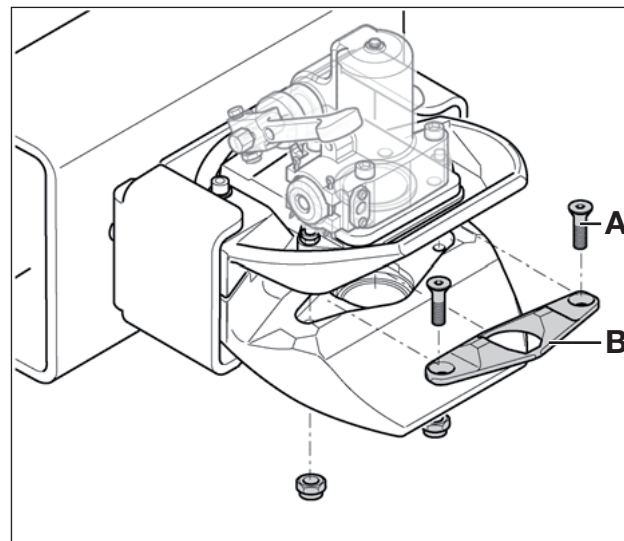


- [5] **A** Fastening screw for part-turn actuator on funnel
B Spacing bushing
C Rear fastening screw on upper funnel
D Lower funnel

Supports

Disassembly

- Remove 2 fastening screws [6A] on the lower support [6B]
- Remove lower support
- Remove 2 fastening screws [7A] on the top support [7B]
- Remove top support



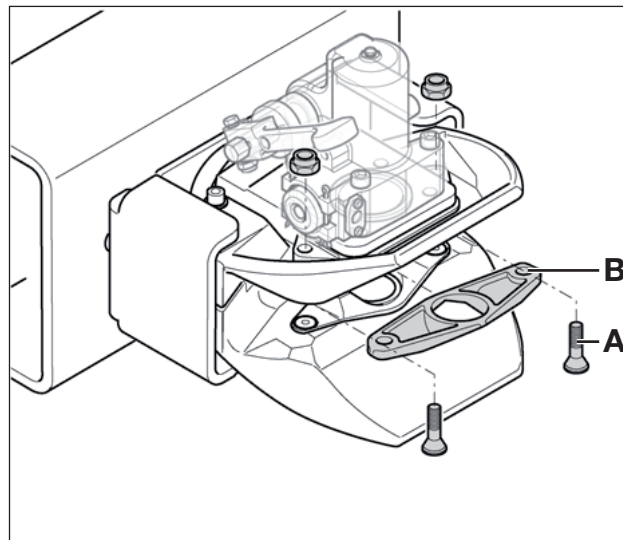
- [6] **A** Fastening screw
B Lower support

Installation

Installation proceeds in the opposite order.

TIGHTENING TORQUES:

- Support on funnel: 45 + 10 Nm



- [7] A Fastening screw
B Upper Support



Technische Änderungen vorbehalten.
Aktuelle Informationen finden Sie unter:
www.jost-world.com

Technical modifications reserved.
For up-to-date information, please visit:
www.jost-world.com

Tekniske endringer kan forekomme!
Før senest information, se:
www.jost-word.com

Förbehåll för tekniska ändringar!
För senaste information, se:
www.jost-world.com

Мы сохраняем за собой право вносить
технические изменения. Актуальную
информацию смотрите по адресу:
www.jost-world.com

JOST-Werke
Siemensstr. 2
D-63263 Neu-Isenburg
Telefon +49(0)61 02295- 0
Fax +49(0)61 02295-298
www.jost-world.com