



Montage- und Betriebsanleitung

D

Installation and operating instructions

GB

Instructions de montage et d'utilisation

F

Member of JOST-World

Für Modellreihen / for Series / pour les séries

RO*850 B

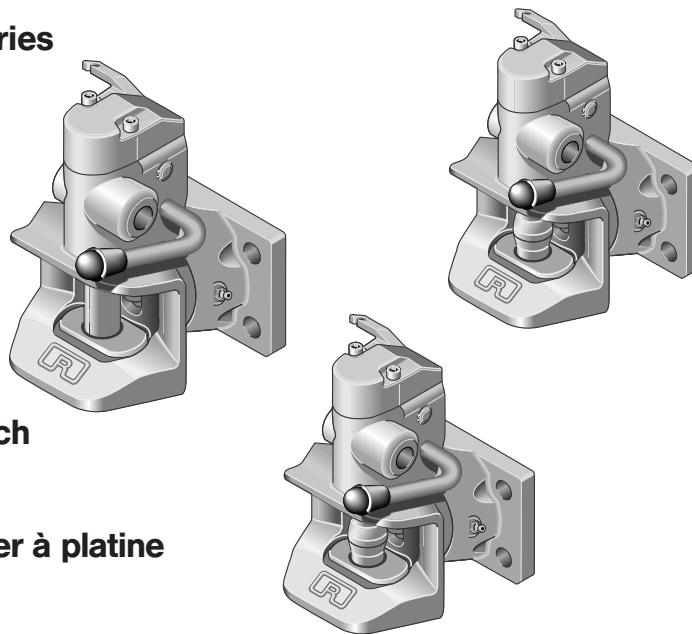
RO*860 B

RO*873 B

Automatische Anhängerkupplung mit Flansch

Automatic trailer coupling with flange

Attelage verrouillage automatique avec palier à platine





The installation and operating instructions must be kept in the vehicle!



The coupling must be installed by qualified personnel

Read these instructions carefully before installation!

Note:

When fitting the trailer coupling the EU directive 89/173 and the relevant national regulations must be observed. The coupling must be fitted in accordance with the installation and operating instructions provided.

If the installation of the trailer coupling changes the load values (e.g. permissible axle load, total weight, permissible vertical load) of the vehicle, the vehicle documents must be changed accordingly.

We reserve the right to make technical alterations.

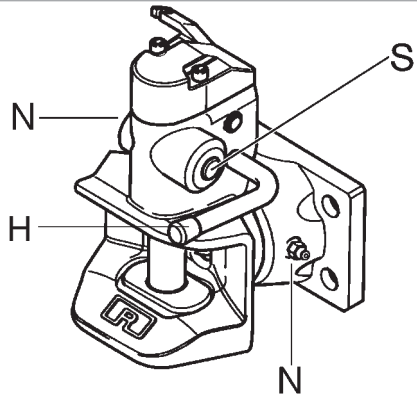
1. Fitting	12
-------------------	-----------

2. Operating	13
2.1 Hitching	13
2.2 Unhitching	13

3. Maintenance	14 – 15
3.1 Inspection	14 – 15

4. Technical data	16 – 17
Drawbar eyes	18



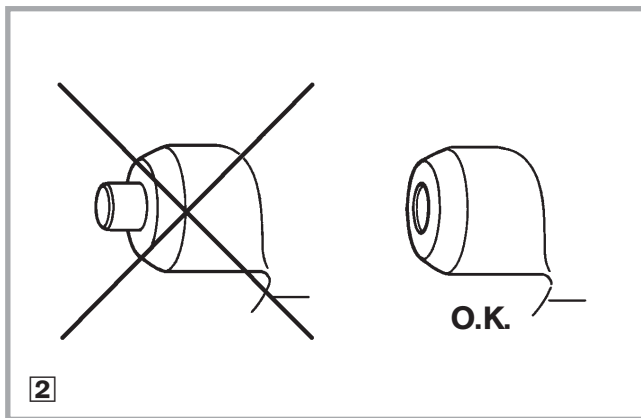


1. Fitting

The coupling is supplied in a ready-to-use condition.

- Observe the relevant regulations for installation
- The instructions of the vehicle manufacturer
- Clearance for axial twisting of the coupling head
- Fastening of the coupling with 4 hex nuts of quality 8.8 and self-locking nuts or mothers with a suitable locking device of quality 8 on a flat baseplate with the corresponding hole pattern
- Size of the nuts and bolts in accordance with the coupling size (see table)
- **Attention:**
Fit the bolt heads on the coupling head side in order not to impair the rotation of the coupling by 360°
- Rotation of the coupling by 90° permissible

Article no. 850/860/873...	Hole pattern	Bolt size	Tightening torque	ROCKINGER bolt set
...B30	120x 55	M 14	180 Nm	58095
...B40	140x 80	M 16	210 Nm	58096
...B50	160x100	M 20	410 Nm	58097



2. Operation

The legal regulations must be observed for hitching and unhitching.

2.1 Hitching

- Place the drawbar eye at the centre of the funnel.
- Press the hand lever (H) upwards until it engages.
- Release the brake on the front axle of the **articulated drawbar trailer**.
- When connecting with a **rigid drawbar trailer**, the drawbar eye must be **as close to the centre** of the funnel as possible:
Failure to observe this can lead to damage!
- Reverse the tractor vehicle slowly

Inspection: ATTENTION: After each hitching operation you must check that the coupling is in the hitching condition in accordance with the regulations.

After hitching, the control pin **must not project** out of the control sleeve.

Projecting control pin: incorrectly hitched, **risk of accident!**

You may not drive with the trailer in this condition. (see Fig. 2)

- Remedy:**
- stretch coupling (drive approx. 1 metre forwards, then backwards)
 - then **check again**.

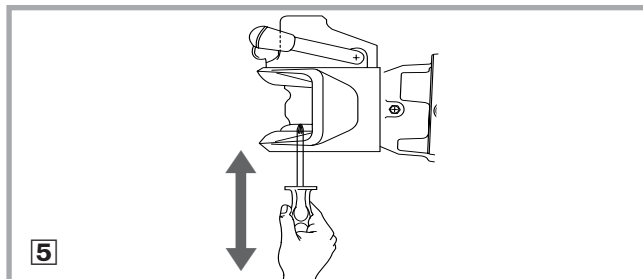
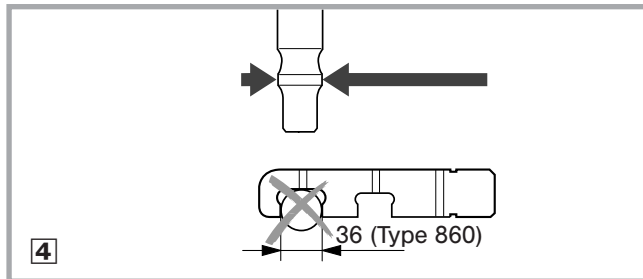
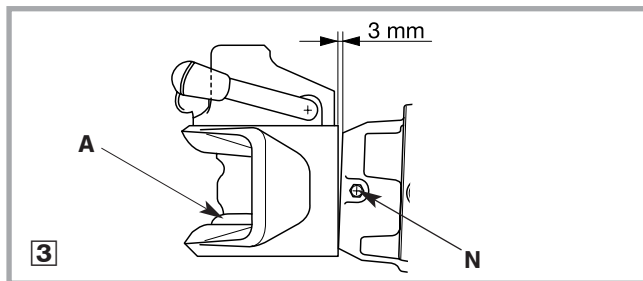
2.2 Unhitching

- Secure the trailer against rolling away or extend support feet.
- Open the coupling.
- Move the tractor vehicle forwards.

Note: During operation without a trailer, close the coupling with the hand lever to protect the lower sleeve against dirt.

Caution: Do not reach into the funnel!

GB



3. Maintenance

To reduce wear on the coupling and the drawbar eye, apply multipurpose grease at regular intervals according to the conditions of use and after cleaning with pressure washers:

- at the lubrication nipple (**N**)
- drawbar eye seat (**A**)

3.1 Inspection

- **Bearing** (articulated joint)

Gap width at the articulated joint (Fig. 3)

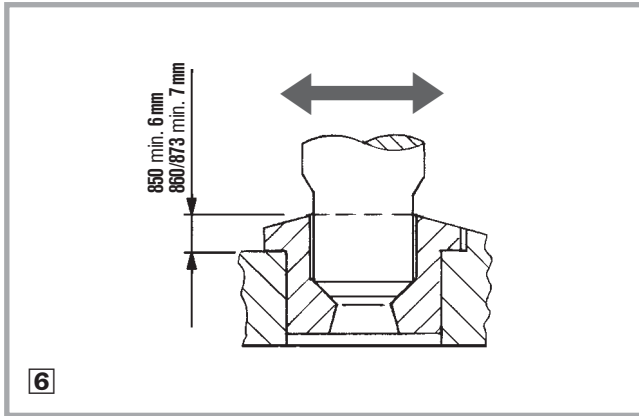
between the funnel and the flange collar with a light load on the lower edge in the driving position: **max. 3 mm**

- **Coupling pin**

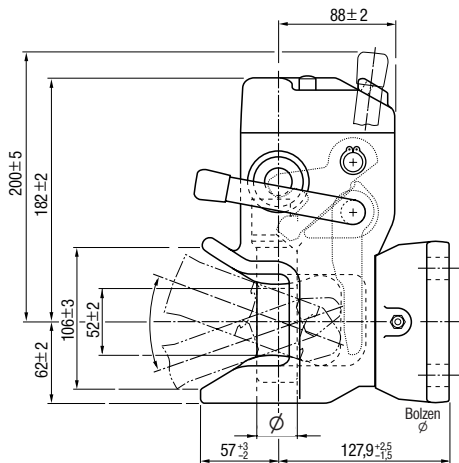
Diameter (Fig. 4)

Type	Nominal dimension (mm)	Minimum wear limit (mm)
850	30.6 ± 0,1	28,6
860	38 ± 0,1	36
873	36 ± 0,1	34

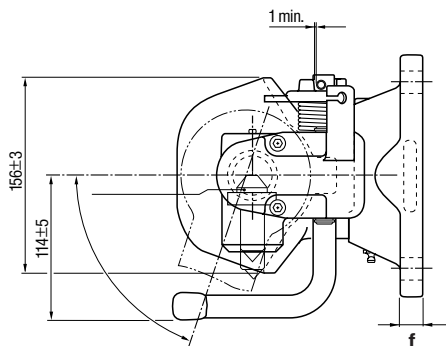
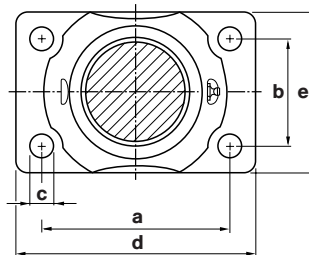
- Maximum vertical clearance **max. 2.5 mm** (Fig. 5)



- **Body boring**
- Maximum play in the lower bolt guide **max. 2.5 mm:**
Maximum wear of the coupling pin **or** the boring **max. 1.5 mm**



RO★850 B
RO★860 B
RO★873 B

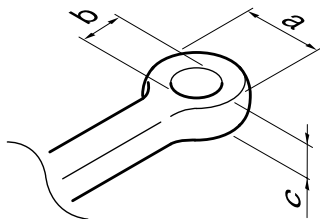


	a (mm)	b (mm)	c (mm)	d (mm)	e (mm)	f (mm)
B30	120	55	15	155	90	16
B40	140	80	17	180	120	21
B50	160	100	21	200	140	20

4. Technical data

- automatic trailer coupling with lift bearing
- cylinder and ball coupling pin
- prepared for mechanical remote control
- Type 850 B 30, 850 U 140, 850 B 03 / 860 B 30, 860 B 40, 850 B 50

RO	Hole pattern (mm)	T (t)	S (t)	D (kN)	General operation approval (ABG)	EU e1	Pin (\varnothing mm)
850B3030C	120x 55	6.0	1.5	50.0	M9735	0277	30.6
850B40303	140x 80	11.0	2.0	78.2	M4878	0031	30.6
850B50301	160x100	14.0	2.0	89.3	M5028	0054	30.6
860B3030C	120x 55	6.0	1.5	50.0	M9735	0277	38.0
860D4030C	140x 80	11.0	2.0	78.2	N3151	0085	38.0
860D5030C	160x100	14.0	2.0	89.3	N3152	0120	38.0
873B40300	140x 80	11.0	2.0	78.2	N3151	0085	36.0
873B50300	160x100	14.0	2.0	89.3	N3152	0120	36.0



7

Drawbar eyes

DIN	a (mm)	b (mm)	c (mm)	Pivot angle	
				horizontal	vertical
11026	100	40	42	min. 70°	min. 20°
11043	100	40	32	min. 76°	min. 22°
74053*	115	50	45	min. 78°	min. 20°
74054	100	40	30,5	min. 76°	min. 20°
Switzerland*	115	50	30	min. 76°	min. 20°

Do not use any other drawbar eyes: **risk of accident!**

* only RO★873



JOST-Werke · Siemensstr. 2, D-63263 Neu-Isenburg · Telefon +49 (0) 61 02 295-0 · Fax +49 (0) 61 02 295-298 · www.jost-world.com

W0027-D/GB/F · 08/2007