

RO★850/860 D



Reduced height



Eye-catching locking indicator

Non-slip hand lever

Smooth, convenient height adjustment



Flatter, lighter, more convenient

- the new ROCKINGER towing hitches
- reduced weight for better handling
- high quality

www.jost-world.com

Member of **JO**ST-World

RO★850/860 D

RO★850 D

Technical data

- automatic towing hitch with height adjustable bearing
- **cylindrical hitch pin:** \varnothing 30,6 mm (couples in off-centre to minimise coupling slack, approx. 3 mm)
- prepared for mechanical remote control

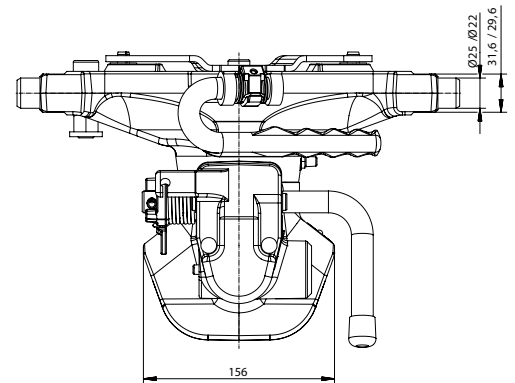
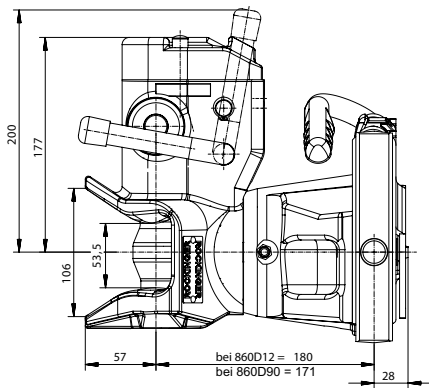
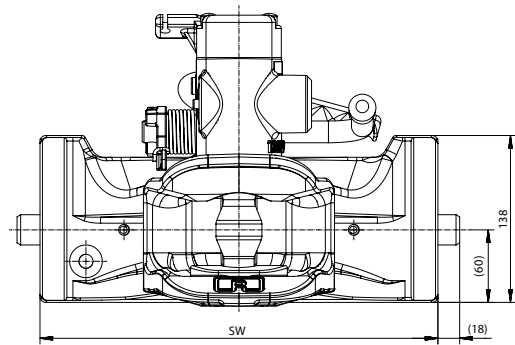
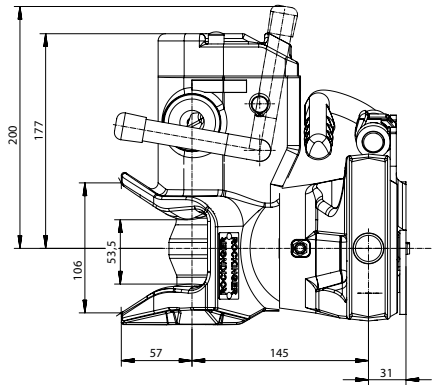
	Track width (Sw) (mm)	S (t)	D (kN)	ABG M	EG e1
850 D10301	310	2,0	97,1	4882	0032
850 D12301	312	2,0	84,3	9693	0243
850 D23301	323	2,0	97,1	4882	0032
850 D30301	330	2,0	97,1	4882	0032
850 D36301	336	2,0	97,1	4882	0032
850 D90301	390	2,0	98,1	9941	0424

RO★860 D

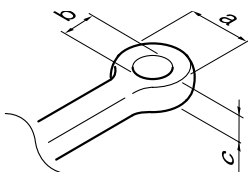
Technical data

- automatic towing hitch with height adjustable bearing
- **crowned hitch pin:** \varnothing 38 mm
- prepared for mechanical remote control

	Track width (Sw) (mm)	S (t)	D (kN)	ABG	EG e1
860 D10301	310	2,0	97,1	N3150	0086
860 D12301	312	2,0	84,3	M9693	0245
860 D23301	323	2,0	97,1	N3150	0086
860 D30301	330	2,0	97,1	N3150	0086
860 D36301	336	2,0	97,1	N3150	0086
860 D90301	390	2,0	98,1	M9941	0424



Drawbar eyes



DIN	a (mm)	b (mm)	c (mm)	drawbar turn angle	
				horizontal	vertical
11026	100	40	42	min. 72°	min. 20°
11043	100	40	32	min. 76°	min. 22°
74054	100	40	30,5	min. 76°	min. 20°

More information regarding our range of products can be found www.jost-world.com

JOST



REGENSBURGER
ZUGGABEL

