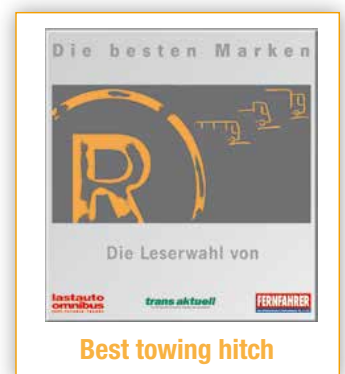




Industrial truck towing hitch with safety indicator display and ECE authorisation

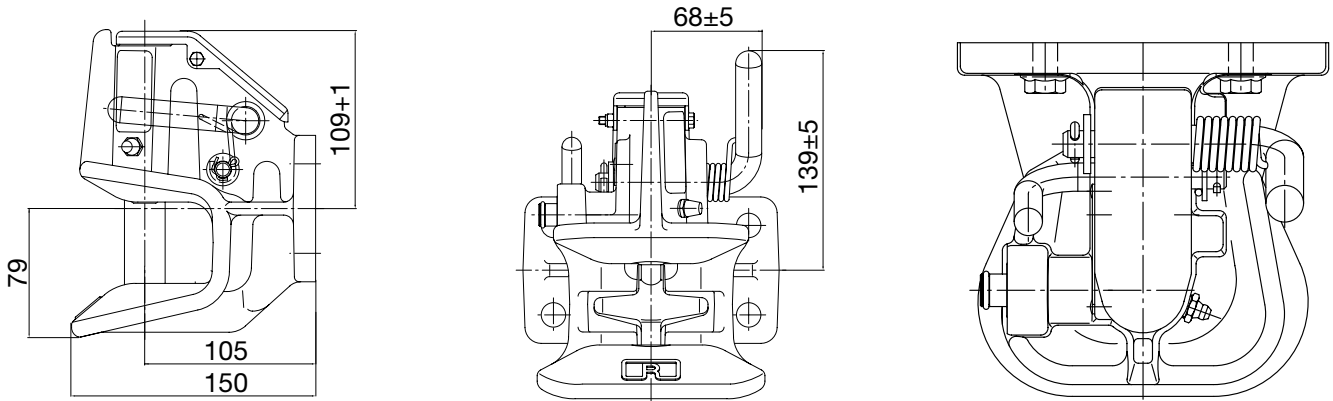
- Clear safety indicator
- ECE tested and authorised
- Can be mounted upside down (rotated 180°)
- Version engaged by pedal release
- Proven million times



RO★244

Technical Specifications

Compact coupling for industrial trucks and their trailers

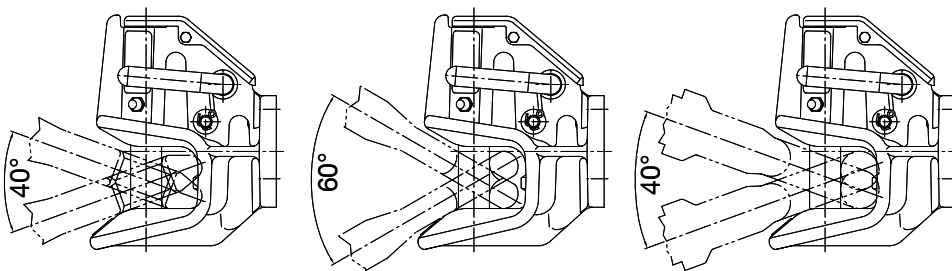


For towing eyes:

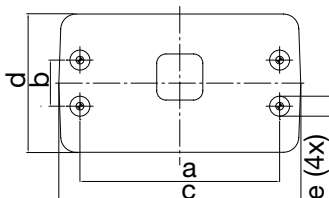
1) DIN 74054

2) DIN 8454

3) CUNA 438/40



										ECE
	A	A	(mm)	D (kN)	Dc (kN)	S (kg)	V (kN)	(kg)		
R0244A07002	A	07	130x30	42	30	250	8,4	6		011803
R0244A11002	A	115	83x56	42	30	250	8,4	6		011804
R0244A35002	A	135	120x55	42	30	250	8,4	6		011802



	a (mm)	b (mm)	c (mm)	d (mm)	e (mm)
07	130,0	30,0	155,0	90,0	13,0
115	83,0	56,0	155,0	90,0	10,5
135	120,0	55,0	155,0	90,0	15,0

Member of **JOST**-World

JOST, Germany Tel. +49 6102 295-0, jost-sales@jost-world.com, www.jost-world.com