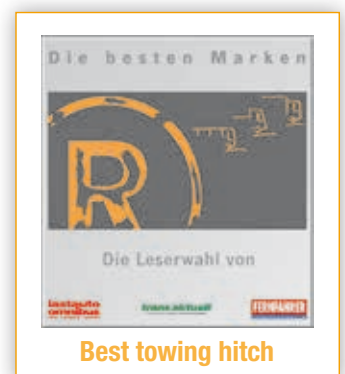




57 mm towing hitch for the high demands of on road and off road use

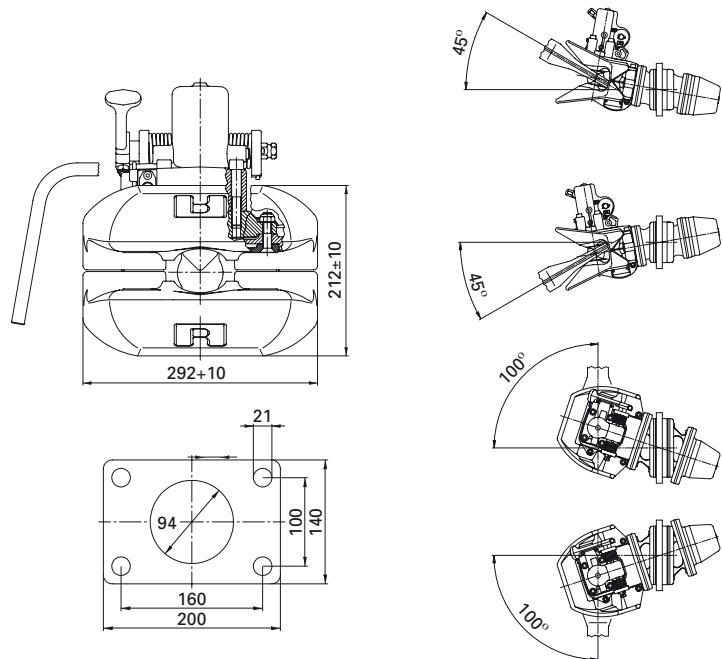
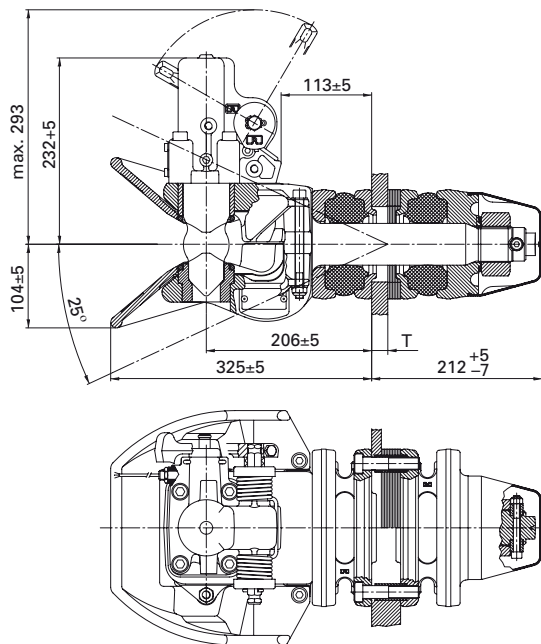
- Better off road characteristics thanks to specially designed rubber bearings
- Well suited to tough conditions with a D value of up to 260 kN, even off normal roads
- Rotating bolts guarantee even wear
- Low-maintenance due to special grease filling for extreme temperatures
- Easy to repair thanks to a split funnel and the ROCKINGER modular construction system
- Easy to mount onto the vehicle thanks to an aligned locking system
- For 57.5 mm towing eyes complying with the Swedish norm
- Available with a pneumatic remote control, ex works or as an upgrade kit
- ECE R55-01 approval



RO*57 flex

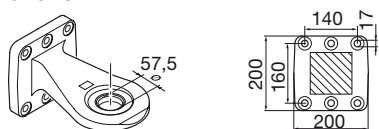
Technical Specification

57 mm towing hitch for the high demands of on road and off road use
E1-012535

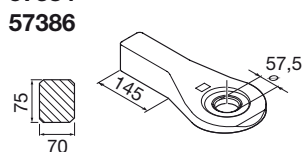


C D	C	(mm)	Truck		Trailer		(kg)	E1	E1	E1	E1
			D (kN)	S (kg)	S (kg)	V (kN)					
RO 576 C 61000	6	160x100	260	-	-	-	57	012535			
RO 576 D 61000	6	160x100	260	-	-	-	57	012535			
RO 576 C 61400	6	160x100	260	-	-	-	63	012535	X	X	
RO 576 C 61560	6	160x100	260	-	-	-	66	012535	X	X	a

57370



57384



Key	(mm)	Truck		Trailer		Pc (kN)	Av (t)	(kg)	E1
		D (kN)	Dc (kN)	S (kg)	V (kN)				
57370	57,5	300	131	1000	82	30	18	18,7	011356
57370	57,5	300	130	2000	50	30	18	18,7	011356
57370	57,5	300	146,5	1000	65,5	30	18	18,7	011356
57384	57,5	200	90	1000	30	25	-	10,0	011659
57386	57,5	200	90	1000	30	25	-	10,0	011658

Pneumatic remote control

RO*PC 57 C Comfort:

ROE 71167

Electric remote display

Cabin:

ROE 70936

Funnel extension:

LubeTronic AK2:

ROE 71162

ROE 71624-2

Member of **JOST**-World

JOST, Germany Tel. +49 6102 295-0, jost-sales@jost-world.com, www.jost-world.com