

Upgrade Kits



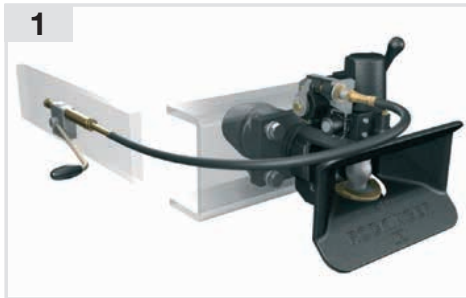
for remote controls
and remote displays



Remote controls and remote displays for every application

Today's design of articulated trains can lead to towing hitches that are difficult or impossible to reach. Upgrade kits from ROCKINGER provide for more safety and comfort.

The remote controls are especially used for tractors where the space according to EG/94/20 is not sufficient to open the towing hitch with the hand lever. Depending on the design, they need less effort and an ergonomic hand lever. All cable winches are particularly well-protected against dirt and corrosion. Remote displays and remote controls help to ensure the locking position and thanks to the display in the driver's cab, the driver can save himself additional walks.



Mechanical remote control – Standard (RC-MS)

For starters, the mechanical remote control enables operation even with towing hitches that are difficult to access.

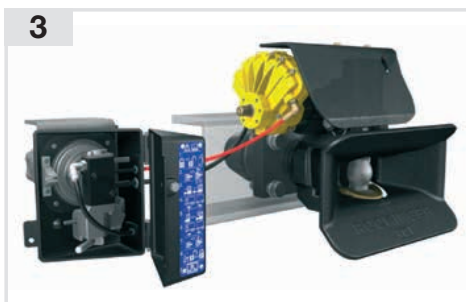
ROE 70962 to RO 400xxxC, RO 430xxxC, RO 500xxx3, RO 530xxx0,
RO 560xxx0
ROE 71676 for RO 400xxx1, RO 410xxx0, RO 413 from T0,
RO 430xxx2, RO 500x66xx0, RO 510xxx0



Pneumatic remote control – Light (RC-PL)

The pneumatic variant supports the opening of the towing hitch powerful and easy via the Duomatic-Interface of the truck.

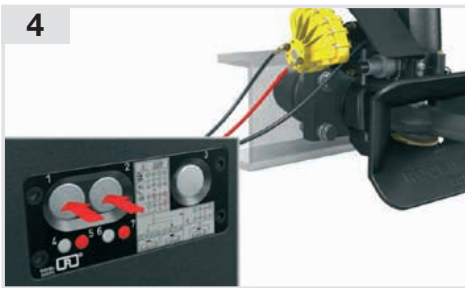
ROE 90325 for RO 500x66xx0



Pneumatic remote control – Comfort (RC-PC)

The pneumatic variant brings power and convenience of use to opening and closing the coupling.

ROE 71270 for RO 500xxx3, RO 530xxx0, RO 560xxx0
ROE 71461 for RO 400xxx1, RO 430xxx2
ROE 71459 for RO 410xxx0, RO 413 from T0
ROE 71645 for RO 590xxx1
ROE 71677 for RO 500x66xx0, RO 510xxx0
ROE 71167 for RO 570xx, RO 576xxx
ROE 71594 for RO 510x61xxx



Electro-pneumatic remote control – Cabin (RC-PCC)

This variant facilitates not only coupling and decoupling – it also spares the walk: operation takes place from inside the cabin.

ROE 70844C to RO 400xxxC, RO 430xxxC, RO 500xxx3,
RO 530xxx0, RO 560xxx0



In-cab status indicator – Rear end (RI-BR)

Additional safety is offered by the in-cab status indicator which inspects the locking position of the coupling and displays this position in the cabin. It is not necessary to lay a cable through the truck.

Electric, display at the rear (RI-BR).

ROE 71701 for RO 400xxx1, RO 410xxx0, RO 413 from T0,
RO 430xxx2, RO 500x66xx0, RO 510xxx0, RO 590xxx1



In-cab status indicator – Cabin (RI-BC)

Convenient safety is offered by the in-cab status indicate which inspects the locking position of the coupling and displays this in the cabin.

Electric, display in the cab (RI-BC).

ROE 70936 to RO 400xxxC, RO 430xxxC, RO 500, RO 530xxx0,
RO 560xxx0

ROE 71654 for RO 400xxx1, RO 410xxx0, RO 413 from T0,
RO 430xxx2, RO 500x66xx0, RO 510xxx0, RO 567xxx0,
RO 590xxx1



In-cab status indicator – Cabin (RI-E)

The in-cab status indicator offers comprehensive safety which inspects the locking position of the coupling and cable and sensor connections and which shows them on a display in the cab. Electric, display in the cab (RI-E).

ROE 71546 for RO 400xxx1, RO 410xxx0, RO 413 from
T0, RO 430xxx2, RO 500x66xx0, RO 510xxx0,
RO 567xxx0, RO 590xxx1



Drawbar turn angle warning system – Cabin (RI-ETW)

The drawbar turn angle warning system protects the vehicle and drawbar against avoidable damages.

ROE 71547* for RO 510xxx0, RO 500x66xx0

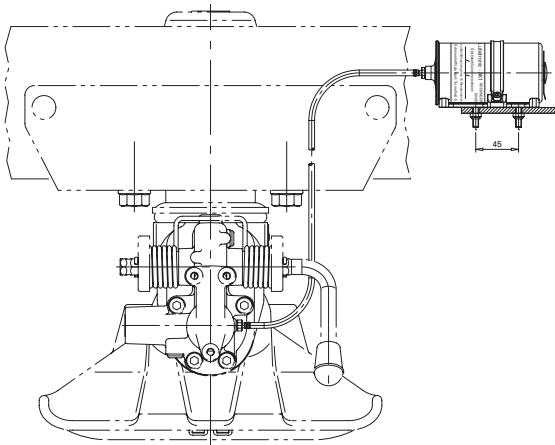
* 3 Sensors incl. in-cab status indicator (7)

Upgrade Kit LubeTronic

LubeTronic – Always lubricates safely

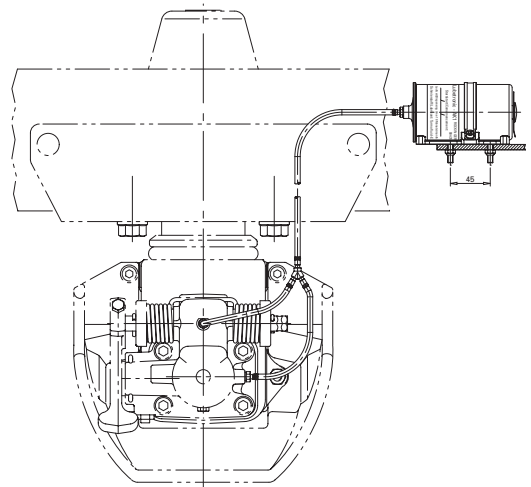
ROCKINGER LubeTronic saves time-consuming, manual lubrication work on the coupling that has to be done during maintenance work.

The cartridge is filled with special oil and an ideal supplement for the lubrication filling of the coupling. It has a product life of up to two years, depending on the model. There are two models available: one with two lubricating points (LubeTronic AK2) and the other one with one lubricating point (LubeTronic AK1).



Item No.: LubeTronic AK1

ROE 71624-1 for RO 400, RO 410, RO 413, RO 430,
RO 500, RO 510, RO 530, RO 560,
RO 590



Item No.: LubeTronic AK2

ROE 71624-2 for RO 570, RO 576

Member of **JOST**-World

JOST, Germany Tel. +49 6102 295-0, jost-sales@jost-world.com, www.jost-world.com