

Ball system KS80



ROCKINGER



Wear insert

Low-maintenance calotte KS80 saves time and money

- The wear insert can simply be replaced by the user
- No lubrication necessary
- No replacement for the entire calotte required in the case of wear
- Homologated for all trailers that are driven in a ball-type hitch
- Cannot be retrofitted with the standard KS80 calottes
- Not suitable for cultivation machines

Order-No calotte with wear insert:

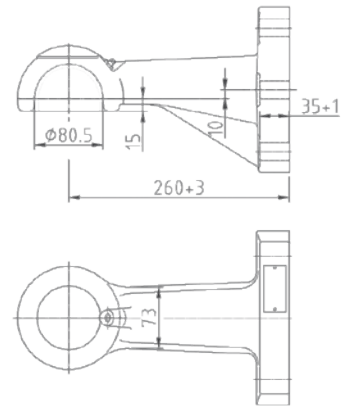
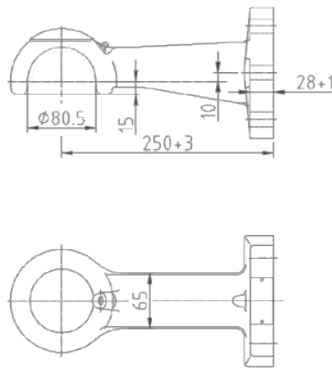
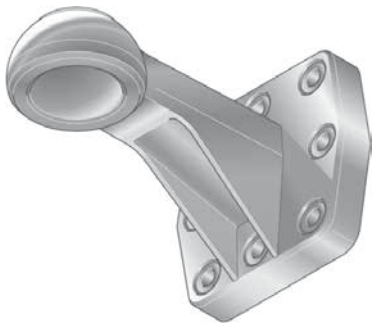
ROE 57 L 036
flange 100 x 110 mm

ROE 57 L 039
flange 145 x 145 mm

Kugelsystem KS80

Technical Specification

For a connection with coupling balls \varnothing 80 mm in accordance with ISO 24347

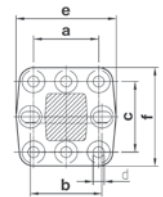


Order No.	Hole pattern (mm)	Dc (kN)	S (t)	ABG (M)	ECE (M)
ROE 57 L 036	100 x 110	89,3	2,5	55R-012382	-
ROE 57 L 039*	145 x 145	97,1	4,5		55R-012277

* Middle boreholes slot

Hole pattern

Typ	a (mm)	b (mm)	c (mm)	d (mm)	e (mm)	f (mm)	Bolt kit	Hole flange
ROE 57 L 036	100	110	110	17	154	154	70950	8-Loch
ROE 57 L 039	145	145/160	145	21	205	195	70965	8-Loch



Spare part

Wear insert: ROE 75 L 166



Factory recommendation

- A regular tactile visual inspection is recommended
- Ball to be kept free from grease and dirt